



瀚荃股份有限公司  
CviLux Corporation  
PACKING STANDARD

文件編號：CI15H752 (1of 2)

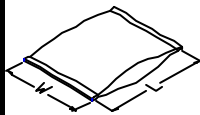
版 別：1

製訂日期：2003/7/22

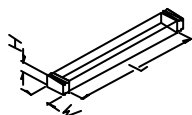
SERIES OR P/N	CIRCUITS	PACKING METHOD CODE	INNER PACKING NO.	INNER PACKING SIZE (CM)			INNER PACKING QTY	INSIDE CARTON NO.	INSIDE CARTON SIZE (CM)			PCS / INSIDE CARTON	CARTON NO.	CARTON SIZE (CM)			PCS / CARTON	G.W REF. (KG)
				L/D	W	H			L	W	H			L	W	H		
CH7504*M*00-*0	4	G	PACK-TBC030-C	60.00	1.02	1.17	144	PACK-IBC014-C	61.70	6.00	10.20	5040	PACK-CTC011-C	63.00	15.00	23.00	20160	
CH7506*M*00-*0	6	G	PACK-TBC030-C	60.00	1.02	1.17	96	PACK-IBC014-C	61.70	6.00	10.20	3360	PACK-CTC011-C	63.00	15.00	23.00	13440	
CH7508*M*00-*0	8	G	PACK-TBC030-C	60.00	1.02	1.17	72	PACK-IBC014-C	61.70	6.00	10.20	2520	PACK-CTC011-C	63.00	15.00	23.00	10080	
CH7510*M*00-*0	10	G	PACK-TBC030-C	60.00	1.02	1.17	57	PACK-IBC014-C	61.70	6.00	10.20	1995	PACK-CTC011-C	63.00	15.00	23.00	7980	
CH7512*M*00-*0	12	G	PACK-TBC030-C	60.00	1.02	1.17	48	PACK-IBC014-C	61.70	6.00	10.20	1680	PACK-CTC011-C	63.00	15.00	23.00	6720	
CH7514*M*00-*0	14	G	PACK-TBC030-C	60.00	1.02	1.17	41	PACK-IBC014-C	61.70	6.00	10.20	1435	PACK-CTC011-C	63.00	15.00	23.00	5740	
CH7516*M*00-*0	16	G	PACK-TBC030-C	60.00	1.02	1.17	36	PACK-IBC014-C	61.70	6.00	10.20	1260	PACK-CTC011-C	63.00	15.00	23.00	5040	
CH7518*M*00-*0	18	G	PACK-TBC030-C	60.00	1.02	1.17	32	PACK-IBC014-C	61.70	6.00	10.20	1120	PACK-CTC011-C	63.00	15.00	23.00	4480	
CH7520*M*00-*0	20	G	PACK-TBC030-C	60.00	1.02	1.17	28	PACK-IBC014-C	61.70	6.00	10.20	980	PACK-CTC011-C	63.00	15.00	23.00	3920	
CH7522*M*00-*0	22	G	PACK-TBC030-C	60.00	1.02	1.17	26	PACK-IBC014-C	61.70	6.00	10.20	910	PACK-CTC011-C	63.00	15.00	23.00	3640	
CH7524*M*00-*0	24	G	PACK-TBC030-C	60.00	1.02	1.17	24	PACK-IBC014-C	61.70	6.00	10.20	840	PACK-CTC011-C	63.00	15.00	23.00	3360	
CH7526*M*00-*0	26	G	PACK-TBC030-C	60.00	1.02	1.17	22	PACK-IBC014-C	61.70	6.00	10.20	770	PACK-CTC011-C	63.00	15.00	23.00	3080	
CH7528*M*00-*0	28	G	PACK-TBC030-C	60.00	1.02	1.17	20	PACK-IBC014-C	61.70	6.00	10.20	700	PACK-CTC011-C	63.00	15.00	23.00	2800	
CH7530*M*00-*0	30	G	PACK-TBC030-C	60.00	1.02	1.17	19	PACK-IBC014-C	61.70	6.00	10.20	665	PACK-CTC011-C	63.00	15.00	23.00	2660	
CH7532*M*00-*0	32	G	PACK-TBC030-C	60.00	1.02	1.17	18	PACK-IBC014-C	61.70	6.00	10.20	630	PACK-CTC011-C	63.00	15.00	23.00	2520	
CH7534*M*00-*0	34	G	PACK-TBC030-C	60.00	1.02	1.17	16	PACK-IBC014-C	61.70	6.00	10.20	560	PACK-CTC011-C	63.00	15.00	23.00	2240	
CH7536*M*00-*0	36	G	PACK-TBC030-C	60.00	1.02	1.17	16	PACK-IBC014-C	61.70	6.00	10.20	560	PACK-CTC011-C	63.00	15.00	23.00	2240	
CH7538*M*00-*0	38	G	PACK-TBC030-C	60.00	1.02	1.17	15	PACK-IBC014-C	61.70	6.00	10.20	525	PACK-CTC011-C	63.00	15.00	23.00	2100	
CH7540*M*00-*0	40	G	PACK-TBC030-C	60.00	1.02	1.17	14	PACK-IBC014-C	61.70	6.00	10.20	490	PACK-CTC011-C	63.00	15.00	23.00	1960	
CH7542*M*00-*0	42	G	PACK-TBC030-C	60.00	1.02	1.17	13	PACK-IBC014-C	61.70	6.00	10.20	455	PACK-CTC011-C	63.00	15.00	23.00	1820	
CH7544*M*00-*0	44	G	PACK-TBC030-C	60.00	1.02	1.17	13	PACK-IBC014-C	61.70	6.00	10.20	455	PACK-CTC011-C	63.00	15.00	23.00	1820	
CH7546*M*00-*0	46	G	PACK-TBC030-C	60.00	1.02	1.17	12	PACK-IBC014-C	61.70	6.00	10.20	420	PACK-CTC011-C	63.00	15.00	23.00	1680	
CH7548*M*00-*0	48	G	PACK-TBC030-C	60.00	1.02	1.17	12	PACK-IBC014-C	61.70	6.00	10.20	420	PACK-CTC011-C	63.00	15.00	23.00	1680	
CH7550*M*00-*0	50	G	PACK-TBC030-C	60.00	1.02	1.17	11	PACK-IBC014-C	61.70	6.00	10.20	385	PACK-CTC011-C	63.00	15.00	23.00	1540	
CH7552*M*00-*0	52	G	PACK-TBC030-C	60.00	1.02	1.17	11	PACK-IBC014-C	61.70	6.00	10.20	385	PACK-CTC011-C	63.00	15.00	23.00	1540	
CH7554*M*00-*0	54	G	PACK-TBC030-C	60.00	1.02	1.17	10	PACK-IBC014-C	61.70	6.00	10.20	350	PACK-CTC011-C	63.00	15.00	23.00	1400	
CH7556*M*00-*0	56	G	PACK-TBC030-C	60.00	1.02	1.17	10	PACK-IBC014-C	61.70	6.00	10.20	350	PACK-CTC011-C	63.00	15.00	23.00	1400	

PACKING METHOD (包裝方式) :

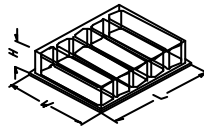
1 PVC BAG (塑膠袋)  
SIZE = L \* W



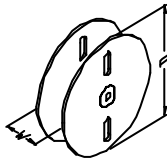
2 TUBE (塑膠管)  
SIZE = L \* W \* H



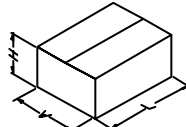
3 PVC TRAY (塑膠盒)  
SIZE = L \* W \* H



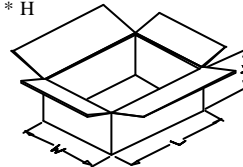
4 REEL (紙盤)  
SIZE = D \* W



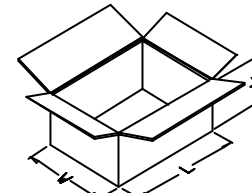
5 BOX (內紙盒)  
SIZE = L \* W \* H



6 INSIDE CARTON (內箱)  
SIZE = L \* W \* H



7 OUTSIDE CARTON (外箱)  
SIZE = L \* W \* H



PACKING METHOD CODE (包裝方式代碼) :

A = 1 7  
B = 2 7  
C = 3 7  
D = 4 7  
E = 5 7  
F = 1 6 7  
G = 2 6 7  
H = 3 6 7

核准：SMITH

審核：JACKAL

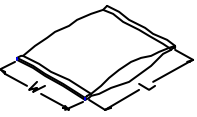
製訂：YI



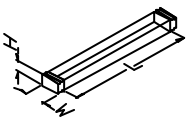
SERIES OR P/N	CIRCUITS	PACKING METHOD CODE	INNER PACKING NO.	INNER PACKING SIZE (CM)			INNER PACKING QTY	INSIDE CARTON NO.	INSIDE CARTON SIZE (CM)			PCS / INSIDE CARTON	CARTON NO.	CARTON SIZE (CM)			PCS / CARTON	G.W REF. (KG)
				L/D	W	H			L	W	H			L	W	H		
CH7558*M*00-*0	58	G	PACK-TBC030-C	60.00	1.02	1.17	9	PACK-IBC014-C	61.70	6.00	10.20	315	PACK-CTC011-C	63.00	15.00	23.00	1260	
CH7560*M*00-*0	60	G	PACK-TBC030-C	60.00	1.02	1.17	9	PACK-IBC014-C	61.70	6.00	10.20	315	PACK-CTC011-C	63.00	15.00	23.00	1260	
CH7562*M*00-*0	62	G	PACK-TBC030-C	60.00	1.02	1.17	9	PACK-IBC014-C	61.70	6.00	10.20	315	PACK-CTC011-C	63.00	15.00	23.00	1260	
CH7564*M*00-*0	64	G	PACK-TBC030-C	60.00	1.02	1.17	9	PACK-IBC014-C	61.70	6.00	10.20	315	PACK-CTC011-C	63.00	15.00	23.00	1260	
CH7566*M*00-*0	66	G	PACK-TBC030-C	60.00	1.02	1.17	8	PACK-IBC014-C	61.70	6.00	10.20	280	PACK-CTC011-C	63.00	15.00	23.00	1120	
CH7568*M*00-*0	68	G	PACK-TBC030-C	60.00	1.02	1.17	8	PACK-IBC014-C	61.70	6.00	10.20	280	PACK-CTC011-C	63.00	15.00	23.00	1120	
CH7570*M*00-*0	70	G	PACK-TBC030-C	60.00	1.02	1.17	8	PACK-IBC014-C	61.70	6.00	10.20	280	PACK-CTC011-C	63.00	15.00	23.00	1120	
CH7572*M*00-*0	72	G	PACK-TBC030-C	60.00	1.02	1.17	8	PACK-IBC014-C	61.70	6.00	10.20	280	PACK-CTC011-C	63.00	15.00	23.00	1120	
CH7574*M*00-*0	74	G	PACK-TBC030-C	60.00	1.02	1.17	7	PACK-IBC014-C	61.70	6.00	10.20	245	PACK-CTC011-C	63.00	15.00	23.00	980	
CH7576*M*00-*0	76	G	PACK-TBC030-C	60.00	1.02	1.17	7	PACK-IBC014-C	61.70	6.00	10.20	245	PACK-CTC011-C	63.00	15.00	23.00	980	
CH7578*M*00-*0	78	G	PACK-TBC030-C	60.00	1.02	1.17	7	PACK-IBC014-C	61.70	6.00	10.20	245	PACK-CTC011-C	63.00	15.00	23.00	980	
CH7580*M*00-*0	80	G	PACK-TBC030-C	60.00	1.02	1.17	7	PACK-IBC014-C	61.70	6.00	10.20	245	PACK-CTC011-C	63.00	15.00	23.00	980	

**PACKING METHOD (包裝方式) :**

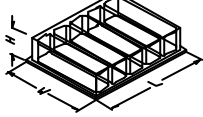
1 PVC BAG (塑膠袋)  
SIZE = L \* W



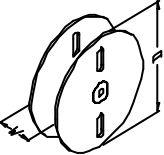
2 TUBE (塑膠管)  
SIZE = L \* W \* H



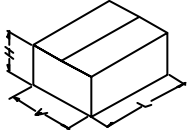
3 (塑膠盒)  
SIZE = L \* W \* H



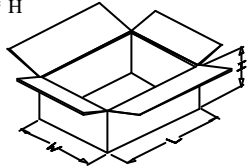
4 REEL (紙盤)  
SIZE = D \* W



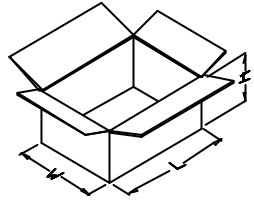
5 BOX (內紙盒)  
SIZE = L \* W \* H



6 INSIDE CARTON (內箱)  
SIZE = L \* W \* H



7 OUTSIDE CARTON (外箱)  
SIZE = L \* W \* H



**PACKING METHOD CODE (包裝方式代碼) :**

A = 1	7
B = 2	7
C = 3	7
D = 4	7
E = 5	7
F = 1	6 7
G = 2	6 7
H = 3	6 7

核准：SMITH

審核：JACKAL

製訂：YI