

Recommended P.C. Boarded Layout

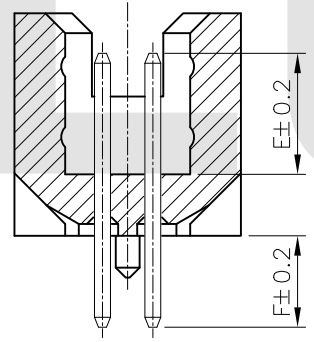
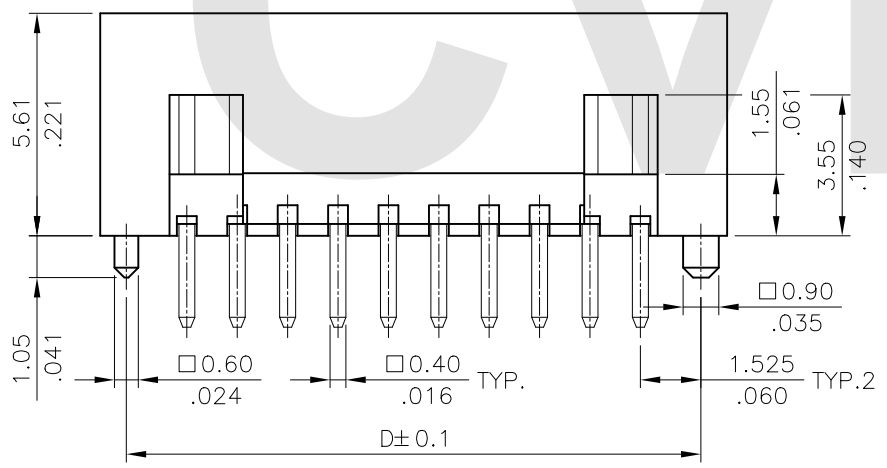
Material:

- \* Insulator: Nylon 6T With 30% GF. UL 94V-0 Color Black
- \* Square Pin: Brass

Ordering Code:

CHC2 \*\* \* V 1 \*\* - 2  
 ① ② ③ ④ ⑤ ⑥ ⑦

- ① Series No.
- ② No. of Contact: 10 to 60
- ③ Plating code:  
 2=Gold Flash plated over 1.27μm(50μ") Nickel  
 3=0.38μm(15μ") Gold plated over 1.27μm(50μ") Nickel  
 4=0.76μm(30μ") Gold plated over 1.27μm(50μ") Nickel
- ④ Tail & Mounting Style:  
 V=Straight DIP Type
- ⑤ Insulator Material & Color:  
 1=Nylon 6T, Color Black
- ⑥ Option Code:  
 See Table PDF. File No. CHC205T
- ⑦ Pin Size:  
 2=0.4 Square Pin




DIM. A = 1.27 X No. of Spaces  
 DIM. B = DIM. A + 4.38  
 DIM. C = DIM. A + 1.88  
 DIM. D = DIM. A + 3.05

△ \* Available in 10 through 60 Circuits

Lead Free Process  
 RoHS Compliant

CVILUX CORP  
 2016.11.10  
 ISSUED

4					DATE	UNIT: mm / inch	TITLE: 1.27mm(.050") SQUARE PIN BOX HEADER(DIP TYPE)	 瀚荃股份有限公司 CviLux Corporation
3						TOLERANCE UNLESS OTHERWISE SPECIFIED	MATERIAL:	
2	Ken	11/7-16'	ECNT116270/ECRT116079	DRAWN BY: Ken	11/7-16'	.X ± 0.25/.010 X' ± 1"	FINISH:	DRAWING NO. CHC205SC PART NO. CHC2***V1**-2
1	Sandy	3/20/08'	ECN08141/ECR08030-1	ENGINEER: Sun	11/7-16'	.XX ± 0.15/.006 X' ±		SCALE 5 / 1 SHEET 1 OF 1
SYM	NAME	DATE	REVISIONS	CHECKED BY: Eisley	11/8-16'	.XXX ± 0.08/.003 XX' ±		
				APPROVED BY: Eisley	11/8-16'			