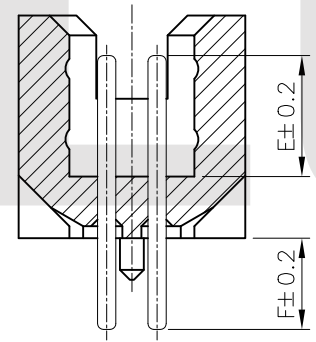
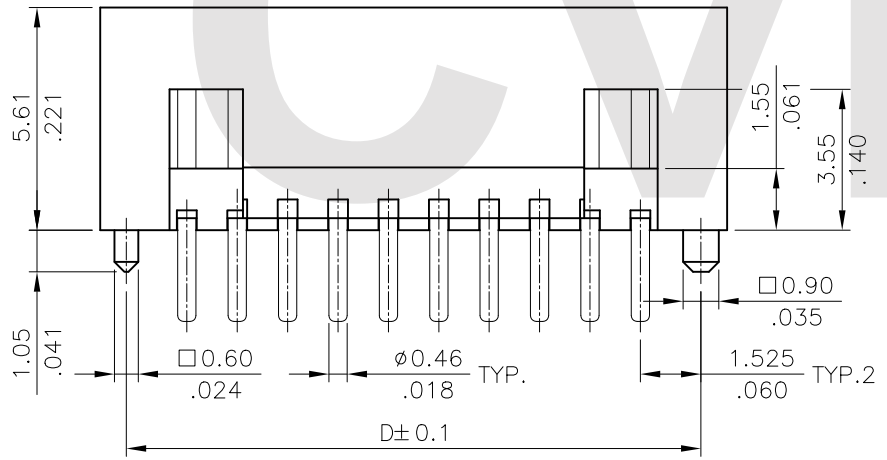


Recommended P.C. Boarded Layout



DIM. A = 1.27 X No. of Spaces
 DIM. B = DIM. A + 4.38
 DIM. C = DIM. A + 1.88
 DIM. D = DIM. A + 3.05

△ * Available in 10 through 60 Circuits

Material:

- * Insulator: Nylon 6T With 30% GF. UL 94V-0 Color Black
- * Square Pin: Brass

Ordering Code:

CHC2 ** * V 1 ** - 1
 ① ② ③ ④ ⑤ ⑥ ⑦

- ① Series No.
- ② No. of Contact: 10 to 60
- ③ Plating code:
 2=Gold Flash plated over 1.27μm(50μ") Nickel
 3=0.38μm(15μ") Gold plated over 1.27μm(50μ") Nickel
 4=0.76μm(30μ") Gold plated over 1.27μm(50μ") Nickel
- ④ Tail & Mounting Style:
 V=Straight DIP Type
- ⑤ Insulator Material & Color:
 1=Nylon 6T, Color Black
- ⑥ Option Code:
 See Table PDF. File No. CHC204T
- ⑦ Pin Size:
 1=0.46 Round Pin

RoHS Compliant

④						DATE	UNIT: mm / inch	TITLE: 1.27mm(.050") ROUND PIN BOX HEADER(DIP TYPE)	
③			DRAWN BY: Ken		11/7-16'	TOLERANCE UNLESS OTHERWISE SPECIFIED		MATERIAL:	
②			ENGINEER: Sun		11/7-16'	.X ± 0.25/.010 X' ± 1"		FINISH:	
①	Ken	11/7-16'	CHECKED BY: Eisley		11/8-16'	.XX ± 0.15/.006 X' ±			
SYM	NAME	DATE	REVISIONS	APPROVED BY: Eisley	11/8-16'	.XXX ± 0.08/.003 XX' ±		DRAWING NO. CHC204SB	PART NO. CHC2***V1**-1
								SCALE 5 / 1	SHEET 1 OF 1