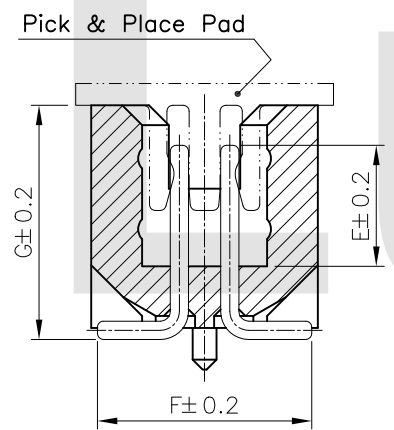


Recommended P.C. Boarded Layout



DIM. A = 1.27 X No. of Spaces
 DIM. B = DIM. A + 4.38
 DIM. C = DIM. A + 1.88
 DIM. D = DIM. A + 3.05

△ * Available in 10 through 60 Circuits

Material:

- * Insulator: Nylon 6T With 30% GF. UL 94V-0 Color Black
- * Round Pin: Brass
- * Pick & Place Pad: Nylon 6T UL 94V-0 Color Nature

Ordering Code:

CHC2 ** * M 1 ** - 1 *
 ① ② ③ ④ ⑤ ⑥ ⑦ ⑧

- ① Series No.
- △ ② No. of Contact: 10 to 60
- ③ Plating code:
 2=Gold Flash plated over 1.27µm(50µ") Nickel
 3=0.38µm(15µ") Gold plated over 1.27µm(50µ") Nickel
 4=0.76µm(30µ") Gold plated over 1.27µm(50µ") Nickel
- ④ Tail & Mounting Style:
 M=Straight SMT Type
- ⑤ Insulator Material & Color:
 1=Nylon 6T , Color Black
- ⑥ Option Code:
 See Table PDF. File No. CHC201T
- ⑦ Pin Size: 1=0.46 Round Pin
- ⑧ 0=Without Pick & Place Pad (Tube packaged)
 P=With Pick & Place Pad (Tape & Reel packing)

④						DATE	UNIT: mm / inch	TITLE: 1.27mm(.050") ROUND PIN BOX HEADER(SMT TYPE)	
③			DRAWN BY: Ken		11/7-16'	TOLERANCE UNLESS OTHERWISE SPECIFIED			
②			ENGINEER: Sun		11/7-16'	.X ± 0.25/.010 X' ± 1"	MATERIAL:		
①	Ken	11/7-16'	CHECKED BY: Eisley		11/8-16'	.XX ± 0.15/.006 .X ±	FINISH:		
SYM	NAME	DATE	REVISIONS	APPROVED BY: Eisley	11/8-16'	.XXX ± 0.08/.003 .XX ±			DRAWING NO. CHC201SG PART NO. CHC2***M1**-1*
									SCALE 5 / 1 SHEET 1 OF 1