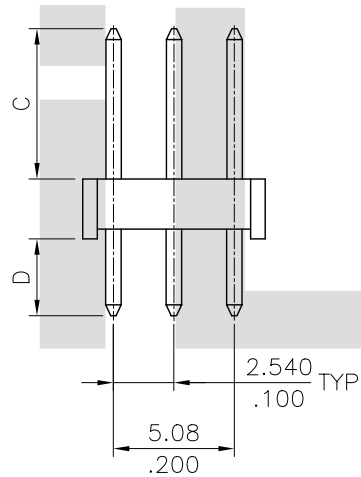
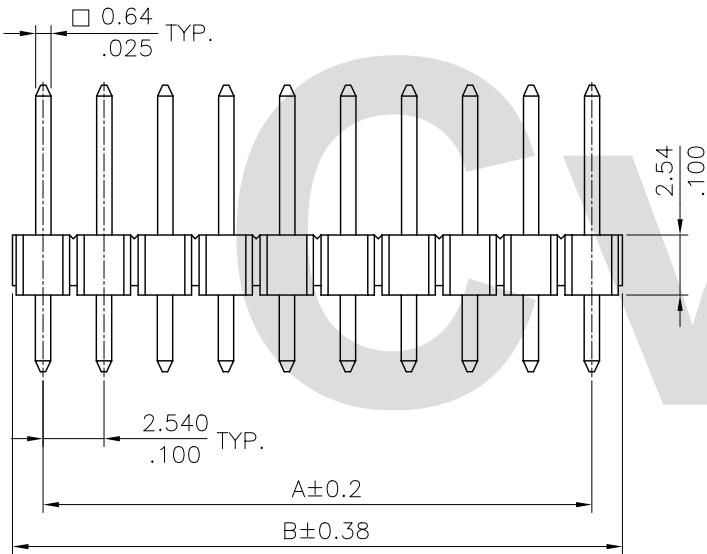


Recommended P.C. Board Layout



Material:  
\* Contact: Brass

### Ordering Code

CH96 \*\* \* V \* \*\*  
① ② ③ ④ ⑤ ⑥

① Series No.

② No. of Circuits

③ Plating Code:

- 1 = 3.05  $\mu\text{m}$  (120  $\mu\text{m}$ ) Min. Tin over 0.76  $\mu\text{m}$  (30  $\mu\text{m}$ ) Nickel
- 2 = Gold flash plated over 1.27  $\mu\text{m}$  (50  $\mu\text{m}$ ) Nickel
- 3 = 0.38  $\mu\text{m}$  (15  $\mu\text{m}$ ) Gold plated over 1.27  $\mu\text{m}$  (50  $\mu\text{m}$ ) Nickel
- 4 = 0.76  $\mu\text{m}$  (30  $\mu\text{m}$ ) Gold plated over 1.27  $\mu\text{m}$  (50  $\mu\text{m}$ ) Nickel

④ V = Straight

⑤ Insulator:

- 2 = PBT UL 94V-0, Color Black
- A = Nylon 6T UL 94V-0, Color Black

⑥ Pin Length Option Code:

See Table PDF. File No. CH9601T

A = 2.54 \* No. of Spaces

B = A + 2.36

\* Available in 9 through 120 circuits

RoHS Compliant

④	Sandy	10/29-07'	ECN07441			DATE	UNIT: mm / inch	TITLE: 2.54MM(.100") TRIPLE ROW BOARD MOUNT PIN HEADER	瀚荃股份有限公司 CviLux Corporation	
③	Jim	8/31/06	ECN06307/ECR06075-0		DRAWN BY: Sandy	10/30-07'	TOLERANCE UNLESS OTHERWISE SPECIFIED			
②	Lynn	12/13-04	ECN04465/ECR04109-0		ENGINEER: Eisley	10/30-07'	.X ± 0.30/.012			.X' ± 1'
①	Sun	4/09/04'	ECN04144		CHECKED BY: David	10/30-07'	.XX ± 0.20/.008	.X' ±		
SYM	NAME	DATE	REVISIONS		APPROVED BY: Alex	10/30-07'	.XXX ± 0.10/.004	.XX' ±	MATERIAL:	DRAWING NO. CH9601SH
									PART NO. CH96***V***	
									SCALE 3 / 1	
									SHEET 1 OF 1	