

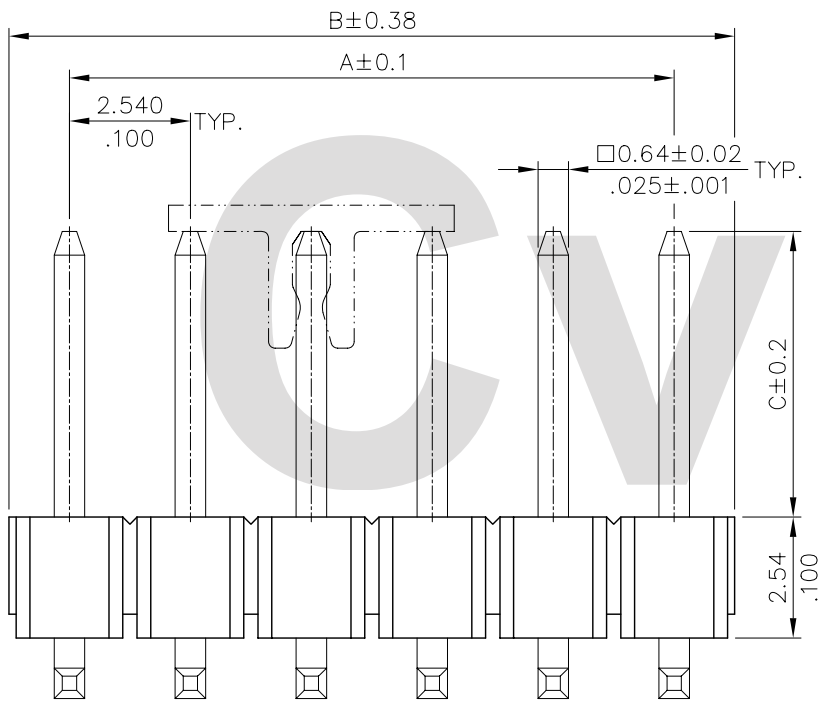
Recommended P.C. Board Layout

Material:

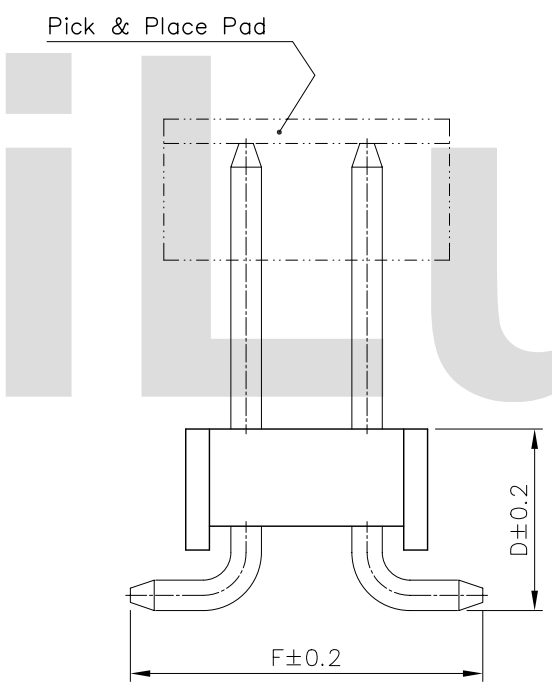
- * Insulator: Nylon 6T With 30% GF. UL 94V-0 Color Black
- * Square Pin: Brass
- * Pick & Place Pad: Nylon 6T UL 94V-0 Color Nature

Ordering Code:


CH81 ** * M 1 ** - 0 *
 ① ② ③ ④ ⑤ ⑥ ⑦ ⑧



DIM. A = 2.54 X No. of Spaces
 DIM. B = DIM. A + 2.36
 * Available in 4 through 80 Circuits



- ① Series No.
- ② No. of Contact: 04 to 80
- ③ Plating code:
 1=3.05 μm(120 μ") Min. Tin over 0.79 μm(30 μ") Nickel
 2=Gold Flash plated over 1.27 μm(50 μ") Nickel
 3=0.38 μm(15 μ") Gold plated over 1.27 μm(50 μ") Nickel
 4=0.76 μm(30 μ") Gold plated over 1.27 μm(50 μ") Nickel
- ④ Tail & Mounting Style:
 M=Straight SMT Type
- ⑤ Insulator Material & Color:
 1=Nylon 6T , Color Black
- ⑥ Option Code:
 See Table PDF. File No. CH8135T
- ⑦ Pin Size: 0=Original design
- △ ⑧ 0=Without Pick & Place Pad (Tube packaged)
 P=With Pick & Place Pad (Tape & Reel packing)
 A=With Pick & Place Pad (Tube packaged)

④						DATE	UNIT: mm / inch	TITLE: 2.54mm(.100") DUAL ROW SURFACE BOARD MOUNT PIN HEADER	 瀚荃股份有限公司 CviLux Corporation
③	Sun	1/20/06'	ECN06019	2006.01.31 ISSUED	DRAWN BY: Sun	1/23 06'	TOLERANCE UNLESS OTHERWISE SPECIFIED	MATERIAL:	
②	Sandy	10/7/05'	ECN05295		ENGINEER: Eisley	1/26 06'	.X ± 0.25/.010 X' ± 1'	FINISH:	DRAWING NO. CH8135SE PART NO. CH81***M1**-0*
①	SUN	5/07/04'	ECN04183		CHECKED BY: David	1/26 06'	.XX ± 0.15/.006 .X' ±		SCALE 6 / 1 SHEET 1 OF 1
SYM	NAME	DATE	REVISIONS		APPROVED BY: Alex	1/26 06'	.XXX ± 0.10/.004 .XX' ±		