

Notes:

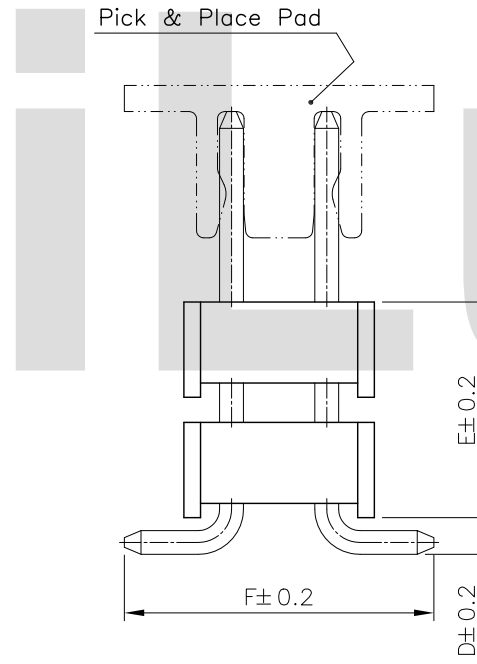
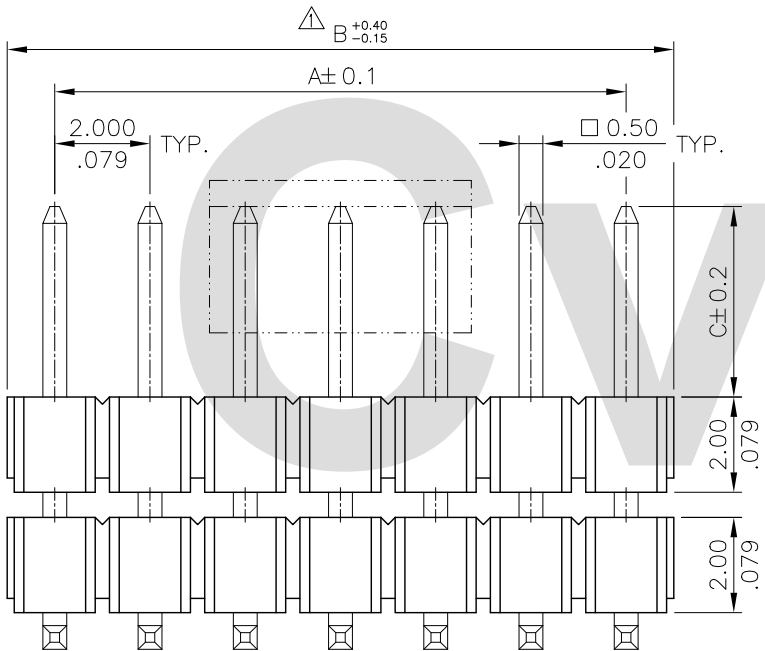
1. DIM. E = 4.0 min.
2. Pin overall length 30.0 max.
3. Material:
 - * Insulator: Nylon 6T With 30% GF. UL 94V-0 Color Black
 - * Square Pin: Brass
 - * Pick & Place Pad: Nylon 6T UL 94V-0 Color Nature

Ordering Code:

CH75 ** * M 1 ** - 0 *

① ② ③ ④ ⑤ ⑥ ⑦ ⑧


Recommended P.C. Board Layout



- ① Series No.
- ② No. of Contact: 04 to 80
- ③ Plating code:
 - 1=3.05 μm(120 μ") Min. Tin over 0.79 μm(30 μ") Nickel
 - 2=Gold Flash plated over 1.27 μm(50 μ") Nickel
 - 3=0.38 μm(15 μ") Gold plated over 1.27 μm(50 μ") Nickel
 - 4=0.76 μm(30 μ") Gold plated over 1.27 μm(50 μ") Nickel
- ④ Tail & Mounting Style:
 - M=Straight SMT Type
- ⑤ Insulator Material & Color:
 - 1=Nylon 6T , Color Black
- ⑥ Option Code:
 - See Table PDF. File No. CH7502T
- ⑦ Pin Size: 0=Original design
- ⑧ 0=Without Pick & Place Pad (Tube packaged)
P=With Pick & Place Pad (Tape & Reel packing)

DIM. A = 2.00 X No. of Spaces
 DIM. B = DIM. A + 2.00
 * Available in 4 through 80 Citsuits

RoHS Compliant

④					DATE	UNIT: mm / inch	TITLE: 2.00mm(.079") DUAL ROW DUAL BODY SURFACE BOARD MOUNT PIN HEADER	 瀚荃股份有限公司 CviLux Corporation
③					DRAWN BY: Sandy 8/27 04'	TOLERANCE UNLESS OTHERWISE SPECIFIED	MATERIAL:	
②					ENGINEER: Eisley 8/30 04'	.X ± 0.25/.010 X' ± 1'	FINISH:	DRAWING NO. CH7502SC PART NO. CH75***M1**-0*
①	Sandy	08/27/04'	ECN04327	CHECKED BY: David 8/30 04'	APPROVED BY: Alex 8/30 04'	.XX ± 0.15/.006 .X' ±		SCALE 6 / 1 SHEET 1 OF 1
SYM	NAME	DATE	REVISIONS			.XXX ± 0.10/.004 .XX' ±		



 CVILUX CORP
 2004.08.31
 ISSUED