

Notes:

* Material:

Contact: Brass

⚠ * Pin overall Length 30.0mm Max.

Ordering Code

CH75 ** * V * **
 ① ② ③ ④ ⑤ ⑥

① Series No.

② NO. of Circuits

③ Plating code:

1 = 3.05 μ m(120 μ ") Min. Tin
 over 0.76 μ m(30 μ ") Nickel

2 = Gold flash plated over
 1.27 μ m(50 μ ") Nickel

3 = 0.38 μ m(15 μ ") Gold plated
 over 1.27 μ m(50 μ ") Nickel

4 = 0.76 μ m(30 μ ") Gold plated
 over 1.27 μ m(50 μ ") Nickel

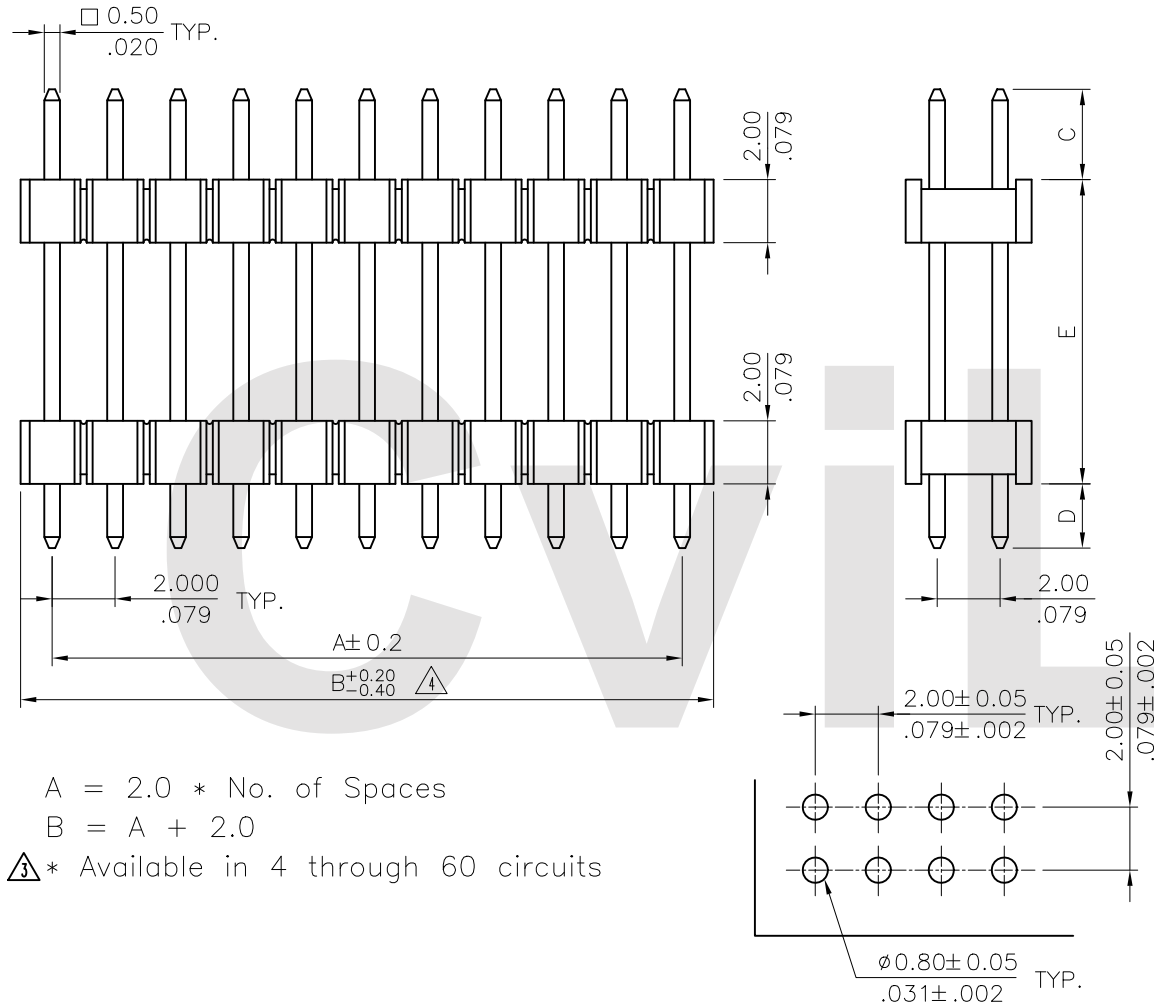
④ V = Straight

⚠ ⑤ Insulation: 1 = PBT UL 94V-0, Color Black

A = Nylon 6T UL 94V-0 , Color Black

⑥ Pin Length Option Code:

See Table PDF. File No. CH7501T




A = 2.0 * No. of Spaces

B = A + 2.0

⚠ * Available in 4 through 60 circuits

Recommended P.C. Board Layout

RoHS Compliant

④	Aaron	10/21-16'	ECNT116250/ECRB116072		DATE	UNIT: mm / inch	TITLE: 2.00MM(.079") DUAL ROW DUAL BODY BORAD MOUNT PIN HEADER	 瀚荃股份有限公司 CviLux Corporation
③	Sun	10/15/08'	ECR08120-1/ECN08480	DRAWN BY: Aaron	12/15-16'	TOLERANCE UNLESS OTHERWISE SPECIFIED	MATERIAL:	
②	Casey	5/28/04'	ECN04208	ENGINEER: Sun	12/15-16'	.X ± 0.30/.012 X' ± 1'		
①	SUN	4/09/04'	ECN04144	CHECKED BY: Eisley	12/16-16'	.XX ± 0.20/.008 .X ±		
SYM	NAME	DATE	REVISIONS	APPROVED BY: Eisley	12/16-16'	.XXX ± 0.10/.004 .XX ±	FINISH:	
DRAWING NO. CH7501SI								PART NO. CH75***V***
SCALE 4 / 1								SHEET 1 OF 1

