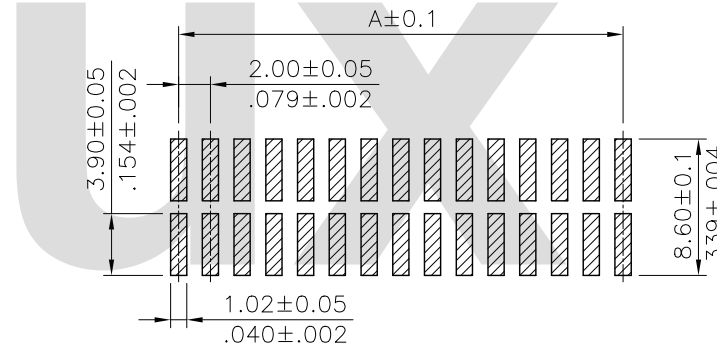
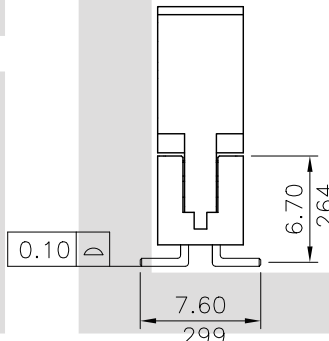
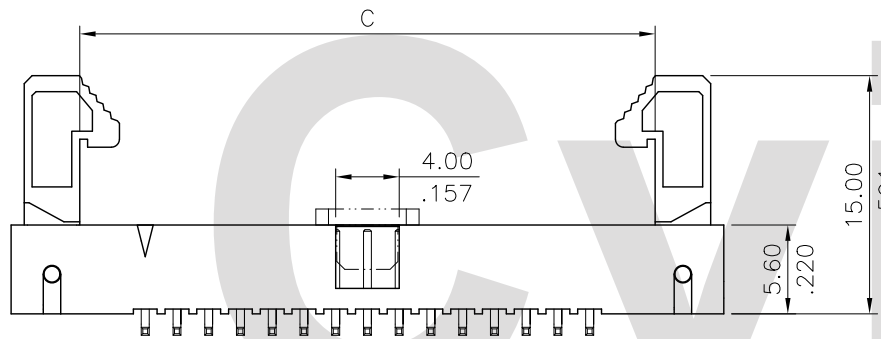
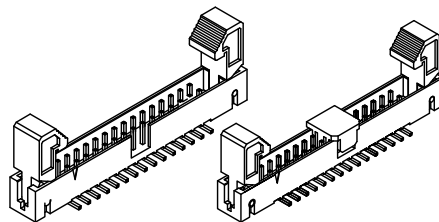


* Insulation: Nylon 6T UL 94V-0
 * Contact: Brass



Recommended P.C. Board Layout

A = 2.00 * No. of Spaces

B = A + 16.9

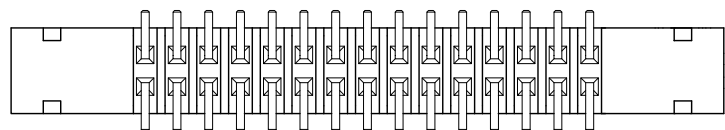
C = A + 8.25

* Available in 8 through 50 circuits

Ordering Code

CH70 ** D M 1 00
 ① ② ③ ④ ⑤ ⑥

- ① Series No.
- ② No. of Contacts:
 Without Pad: 08 to 50
 With Pad: 10 to 50
- ③ Plating option:
 D= Selective 0.25μm(10μ") gold
 Plated over Nickel
- ④ M= With short latch/SMT
- ⑤ Color: 1= Black
- ⑥ Option Code:
 00= Without Pad (Standard)
 0P= With Pad



Lead Free Process

RoHS Compliant

④					DATE	UNIT: mm / inch	TITLE: 2.00MM(.079") STRAIGHT SMT DUAL ROW SHROUDED HEADER	 瀚荃股份有限公司 CviLux Corporation	
③				DRAWN BY: Sun	7/21-10'	TOLERANCE UNLESS OTHERWISE SPECIFIED	MATERIAL:		
②				ENGINEER: Easley	7/28-10'	.X ± 0.30/.012 X' ± r'			FINISH:
①				CHECKED BY: David	7/28-10'	.XX ± 0.20/.008 .X' ±			
SYM	NAME	DATE	REVISIONS	APPROVED BY: David	7/28-10'	.XXX ± 0.10/.004 .XX' ±	DRAWING NO. CH7001SA	PART NO. CH70**DM10*	
								SCALE 2 / 1	SHEET 1 OF 1