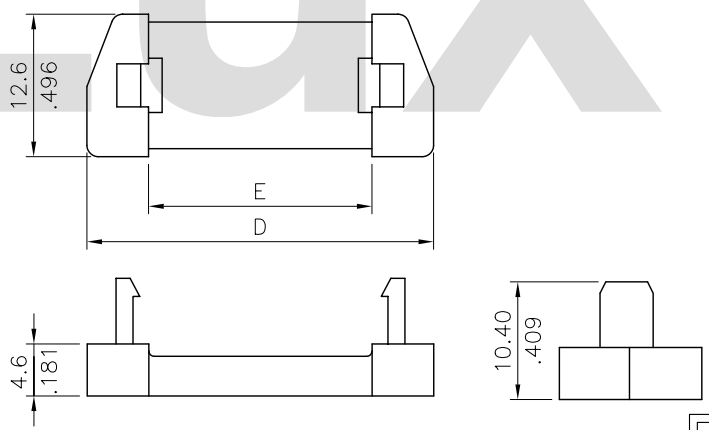


Material:
 * Insulator: Glass filled polyester UL 94V-0
 * Contact: Brass

Ordering Code:
 CD91 25 S * * 00
 ① ② ③ ④ ⑤ ⑥

① Series No.
 ② Contacts: 9,15,25,37
 ③ Contact type: S= Receptacle
 ④ Plating option:
 2= Gold flash plated over 1.27μm(50μ") Nickel
 A= Selective Gold flash plated over 1.27μm(50μ") Nickel
 B= Selective 0.38μm(15μ") Gold plated over 1.27μm(50μ") Nickel
 C= Selective 0.76μm(30μ") Gold plated over 1.27μm(50μ") Nickel
 ⑤ Insulator Color: 1= Black
 7= Blue
 ⑥ Other Option:
 00= All plastic with 3.5mm holes with S/R(Standard)



Circuits	Dimension				
	A	B	C	D	E
9	25.00(.984)	30.8(1.213)	16.30(.642)	22.4(.882)	12.08(.476)
15	33.30(1.311)	39.2(1.543)	24.60(.969)	30.8(1.213)	19.70(.776)
25	47.10(1.854)	53.1(2.091)	38.30(1.508)	44.5(1.752)	32.40(1.276)
37	63.50(2.500)	69.4(2.732)	54.80(2.157)	61.4(2.417)	47.72(1.879)

Strain relief

RoHS Compliant

④					DATE	UNIT: mm / inch	TITLE: INSULATION DISPLACEMENT D-SUB FEMALE CONNECTOR	瀚荃股份有限公司 CviLux Corporation
③					DRAWN BY: Sun	TOLERANCE UNLESS OTHERWISE SPECIFIED	MATERIAL:	
②					ENGINEER: Eisley	.X ± 0.30/.012 X: ± 1'	FINISH:	DRAWING NO. CD9104SD PART NO. CD91**S**00
①	SUN	4/12/04'	ECN04153/ECR04035-0	CHECKED BY: David	4/13-04'	.XX ± 0.20/.008 X: ±		SCALE 2 / 1
SYM	NAME	DATE	REVISIONS	APPROVED BY: Alex	4/15-04'	.XXX ± 0.10/.004 X: ±		

