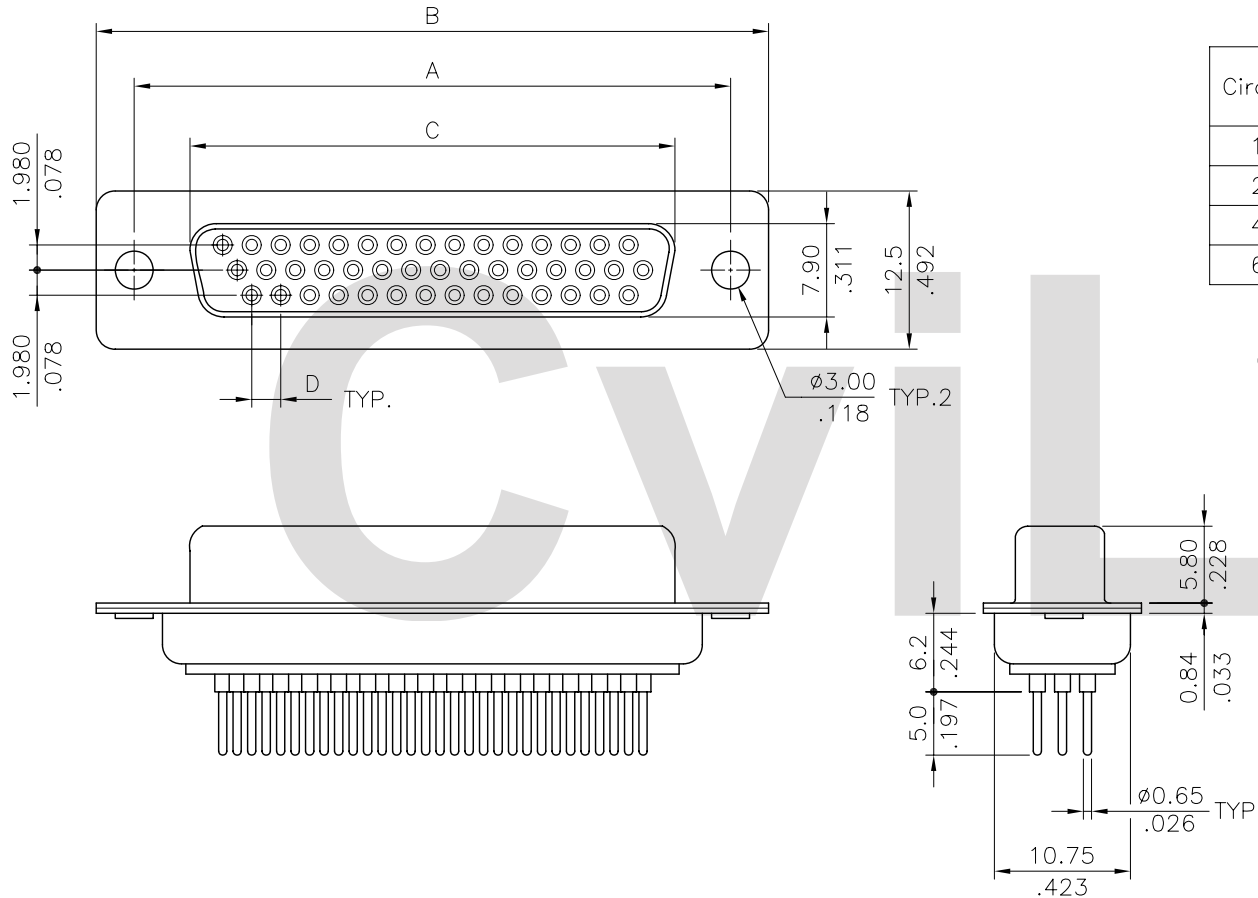


Material:

Insulator: Glass filled Polyester UL 94V-0
Color Black or White

Contact: Brass

Shell: Steel, Tin plated as standard




Circuits	Dimension			
	A	B	C	D
15	25.00(.984)	30.8(1.213)	16.30(.642)	2.290(.090)
26	33.32(1.312)	39.2(1.543)	24.60(.969)	2.290(.090)
44	47.04(1.852)	53.1(2.091)	38.30(1.508)	2.290(.090)
62	63.50(2.500)	69.4(2.732)	54.80(2.157)	2.410(0.95)

Ordering Code :

CD76 44 S * * 00
① ② ③ ④ ⑤ ⑥

- Series No.
- Contacts: 15,26,44,62
- Contact type : P=plug , S=Receptacle
- Contact Plating :
 - 2 = Gold flash plated over 1.27μm(50μ") Nickel
 - 3 = 0.38μm(15μ") Gold plated over 1.27μm(50μ") Nickel
 - 4 = 0.76μm(30μ") Gold plated over 1.27μm(50μ") Nickel
 - 5 = 1.27μm(50μ") Gold plated over 1.27μm(50μ") Nickel
- Insulator Color :
 - 1=Black , 0=White
- Other option :
 - 00 = With ø3.00mm holes on shell

SYM	NAME	DATE	REVISIONS	APPROVED BY:	DATE	UNIT: mm / inch	TITLE: HIGH-DENSITY D-SUB TOP ENTRY FEMALE CONNECTOR (MACHINED CONTACT)	 瀚荃股份有限公司 CviLux Corporation		
4								DRAWING NO. CD7602SA PART NO. CD76***00	SCALE 2 / 1 SHEET 1 OF 1	
3				DRAWN BY: David	8/31 00'	TOLERANCE UNLESS OTHERWISE SPECIFIED				
2				ENGINEER: David	8/31 00'	.X ±0.30/.012 .X' ± 1'				
1				CHECKED BY: Alex	8/31 00'	.XX ±0.20/.008 .X' ±				
				APPROVED BY: Alex	8/31 00'	.XXX ±0.10/.004 .XX' ±				

