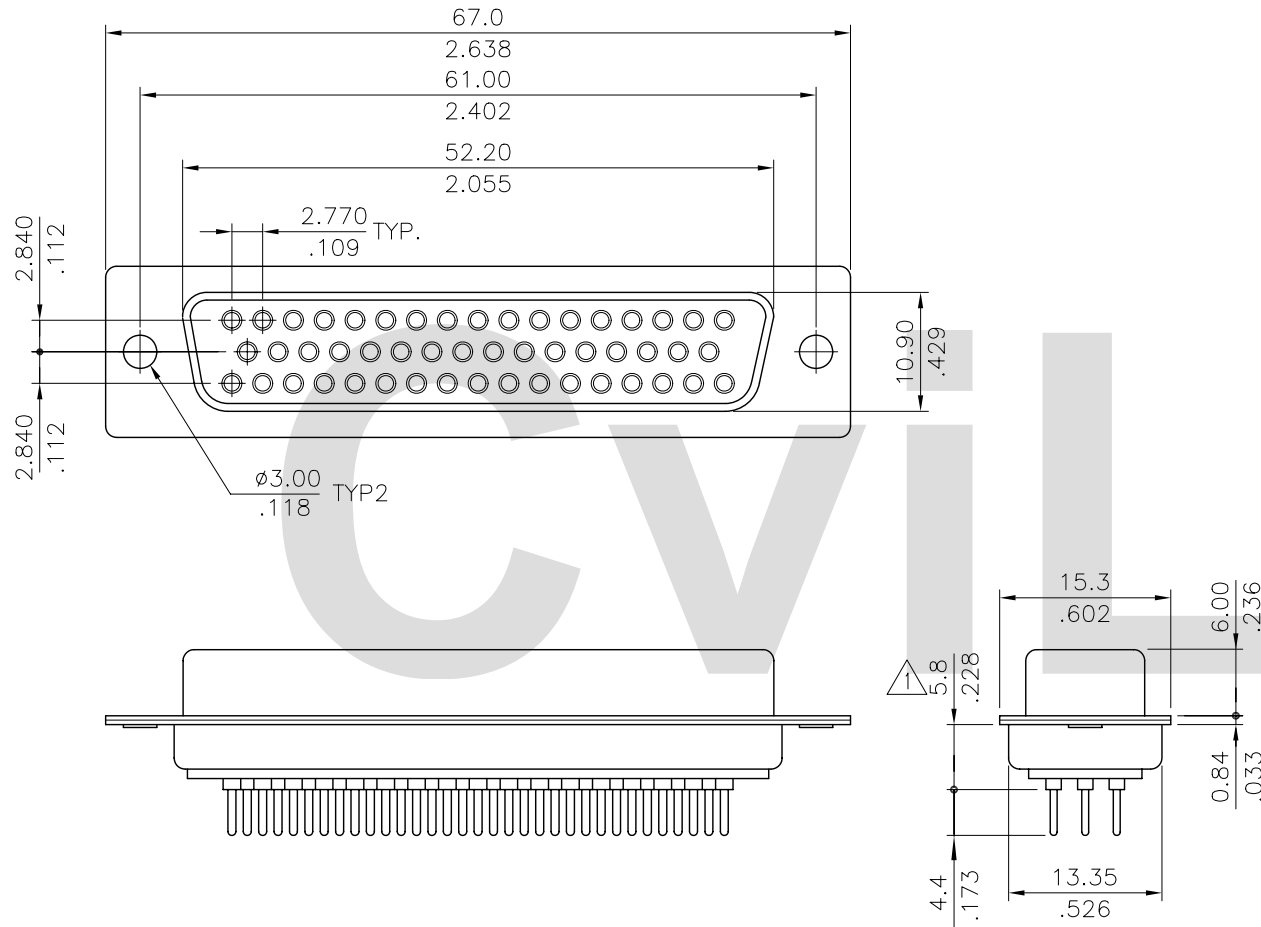


Material:

Insulator: Glass filled Polyester UL 94V-0
Color Black or White

Contact: Brass

Shell: Steel, Tin plated as standard




Ordering Code :

CD72 50 S * * 00
① ② ③ ④ ⑤ ⑥

- Series No.
- Contacts: 50
- Contact type : P=plug , S=Receptacle
- Contact Plating :
 - 2 = Gold flash plated over 1.27 μ m(50 μ " Nickel (Standard)
 - 3 = 0.38 μ m(15 μ " Gold plated over 1.27 μ m(50 μ " Nickel
 - 4 = 0.76 μ m(30 μ " Gold plated over 1.27 μ m(50 μ " Nickel
 - 5 = 1.27 μ m(50 μ " Gold plated over 1.27 μ m(50 μ " Nickel
- Insulator Color :
 - 1=Black , 0=White
- Other option :
 - 00 = With $\phi 3.00$ mm holes on shell

RoHS Compliant

④					DATE	UNIT: mm / inch	TITLE: D-SUB TOP ENTRY FEMALE CONNECTOR (MACHINED CONTACTOR)	 瀚荃股份有限公司 CviLux Corporation	
③				DRAWN BY: Sun	12/4 03'	TOLERANCE UNLESS OTHERWISE SPECIFIED	MATERIAL:		
②				ENGINEER: Eisley	12/4 03'	.X $\pm 0.30/.012$ X' $\pm 1'$	FINISH:		
①	SUN	12/03/03'	ECN03437/ECR03056-0	CHECKED BY: David	12/4 03'	.XX $\pm 0.20/.008$ X' \pm			
SYM	NAME	DATE	REVISIONS	APPROVED BY: David	12/4 03'	.XXX $\pm 0.10/.004$.XX' \pm	DRAWING NO. CD7204SD	PART NO. CD7250S**00	
								SCALE 2 / 1	SHEET 1 OF 1

CVILUX.CORP
2003.12.04
ISSUED