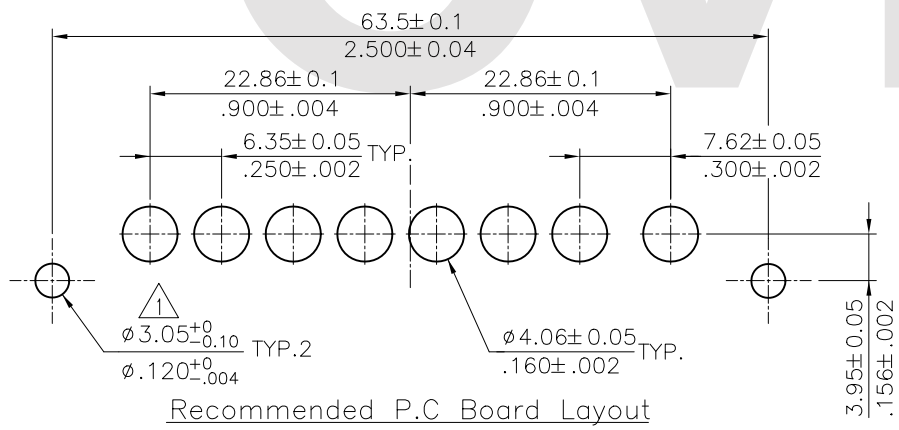
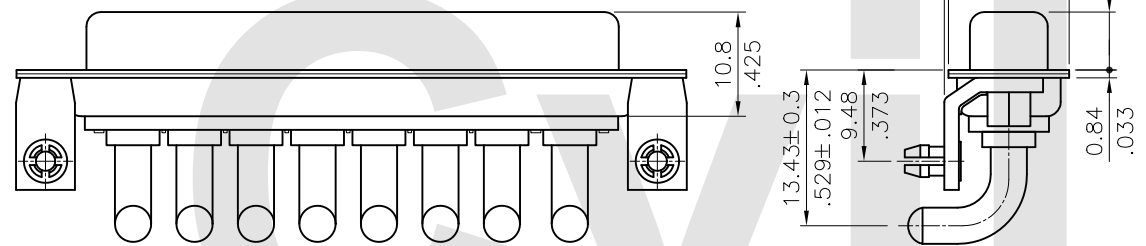


### Ordering Code

C8W8 S P H 3 0 1 40 I10  
 ① ② ③ ④ ⑤ ⑥ ⑦ ⑧ ⑨

- ① Series No.
- ② Connector Type: S= Receptacle
- ③ Contact type: P= High Power Contact
- ④ Contact tail style: H= Right Angle Dip type
- ⑤ High power contact plating:  
 2= Gold flash plated over Nickel  
 3= 15μ" Gold plated over Nickel  
 4= 30μ" Gold plated over Nickel  
 5= 50μ" Gold plated over Nickel
- ⑥ Signal contact plating:  
 0= Without signal contact
- ⑦ Insulator color: 1= Black, 6= Green
- ⑧ Performance: 40= 40A
- ⑨ Mounting Style:  
 000= With ø3.05mm holes on shell  
 B00= Riveted #4-40 UNC open nuts on front shell  
 C00= Riveted #4-40 UNC open nuts on rear shell  
 I00= Riveted #4-40 UNC ground tabs with ø3.2mm holes  
 I10= Riveted #4-40 UNC ground tabs with board locks(standard)



### Mounting Style

Lead Free Process      RoHS Compliant

Code	000	Code	B00	Code	C00	Code	I00	Code	I10
			DIM. L= 4.0mm		DIM. L= 4.0mm		øA=3.2mm		

④					DATE	UNIT: mm / inch	TITLE: C8W8 40A HIGH POWER FEMALE D-SUB CONNECTOR (RIGHT ANGLE BOARD MOUNT TYPE) MATERIAL: FINISH:	瀚荃股份有限公司 CviLux Corporation	
③	Karen	3/20-17'	ECNT117049/ECRT117003	DRAWN BY: Karen	3/20-17'	TOLERANCE UNLESS OTHERWISE SPECIFIED			
②	Jim	10/13/06'	ECR06094-0/ECN06369	ENGINEER: Sun	3/20-17'	.X ± 0.30/.012    X: ± 1'			
①	SUN	3/24/05'	ECR05025-0/ECN05095	CHECKED BY: Eisley	3/22-17'	.XX ± 0.20/.008    .X ±			
SYM	NAME	DATE	REVISIONS	APPROVED BY: Eisley	3/22-17'	.XXX ± 0.10/.004    .XX ±	DRAWING NO. C8W814SE	PART NO. C8W8SPH*0*40***	
							SCALE	2 / 1	SHEET 1 OF 1

CVILUX CORP  
 2017.03.23  
 ISSUED