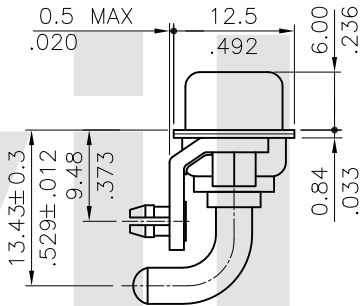
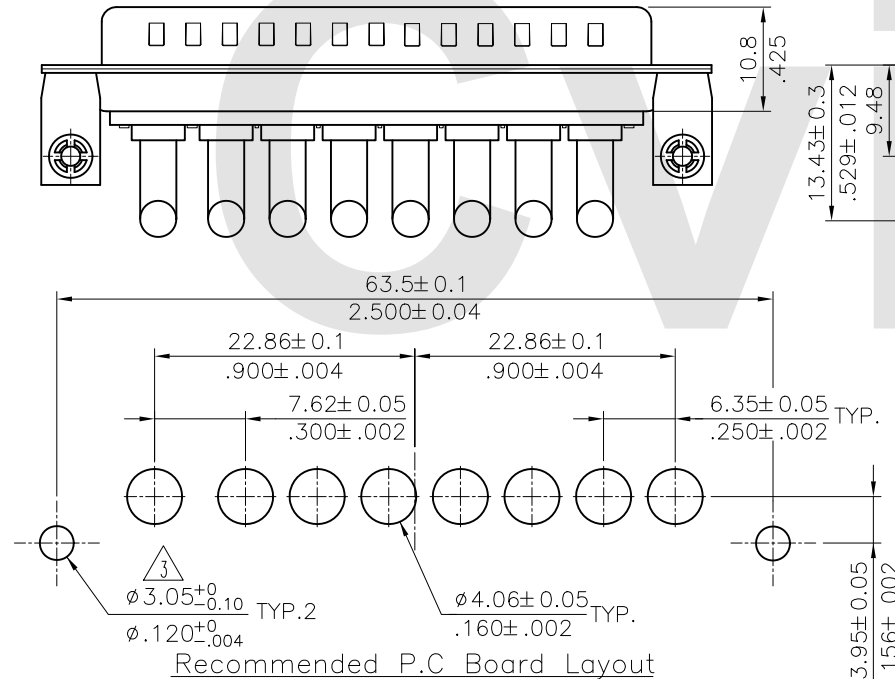


Notes:  
 Insulator: Glass filled Polyester UL 94V-0  
 Shell: Steel, Tin plated as standard  
 High power Contact:  
 Brass with Gold plated  
 \* For Lead Free Wave Flow Process

### Ordering Code

C8W8 P P H 3 0 1 40 I10  
 ① ② ③ ④ ⑤ ⑥ ⑦ ⑧ ⑨

- ① Series No.
- ② Connector Type: P= Plug
- ③ Contact type: P= High Power Contact
- ④ Contact tail style: H= Right Angle Dip type
- ⑤ High power contact plating:  
 2= Gold flash plated over Nickel  
 3= 15μ" Gold plated over Nickel  
 4= 30μ" Gold plated over Nickel  
 5= 50μ" Gold plated over Nickel
- ⑥ Signal contact plating:  
 0= Without signal contact
- ⑦ Insulator color: 1= Black, 6= Green
- ⑧ Performance: 40= 40A
- ⑨ Mounting Style:  
 000= With ø3.05mm holes on shell  
 B00= Riveted #4-40 UNC open nuts on front shell  
 C00= Riveted #4-40 UNC open nuts on rear shell  
 I00= Riveted #4-40 UNC ground tabs with ø3.2mm holes  
 I10= Riveted #4-40 UNC ground tabs with board locks(standard)



| Mounting Style |     | Lead Free Process |               | RoHS Compliant |               |      |          |      |     |
|----------------|-----|-------------------|---------------|----------------|---------------|------|----------|------|-----|
| Code           | 000 | Code              | B00           | Code           | C00           | Code | I00      | Code | I10 |
|                |     |                   |               |                |               |      |          |      |     |
|                |     |                   | DIM. L= 4.0mm |                | DIM. L= 4.0mm |      | øA=3.2mm |      |     |

|     |       |           |                       |                     |          |                                      |                 |  |                                |
|-----|-------|-----------|-----------------------|---------------------|----------|--------------------------------------|-----------------|--|--------------------------------|
| 4   |       |           |                       |                     |          | DATE                                 | UNIT: mm / inch | TITLE: C8W8 40A HIGH POWER MALE D-SUB CONNECTOR (RIGHT ANGLE BOARD MOUNT TYPE) | 瀚荃股份有限公司<br>CviLux Corporation |
| 3   | Karen | 3/20-17'  | ECNT117049/ECRT117003 | DRAWN BY: Karen     | 3/20-17' | TOLERANCE UNLESS OTHERWISE SPECIFIED | MATERIAL:       | DRAWING NO. C8W813SE   |                                |
| 2   | Jim   | 10/13/06' | ECR06094-0/ECN06369   | ENGINEER: Sun       | 3/20-17' | .X ± 0.30/.012                       | .X' ± 1'        | FINISH:  | SCALE 2 / 1                    |
| 1   | SUN   | 3/24/05'  | ECR05025-0/ECN05095   | CHECKED BY: Eisley  | 3/22-17' | .XX ± 0.20/.008                      | .X' ±           |  | SHEET 1 OF 1                   |
| SYM | NAME  | DATE      | REVISIONS             | APPROVED BY: Eisley | 3/22-17' | .XXX ± 0.10/.004                     | .XX' ±          |  |                                |

2017.03.23  
 ISSUED