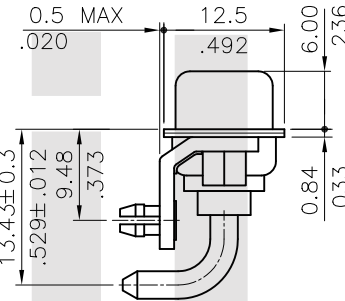
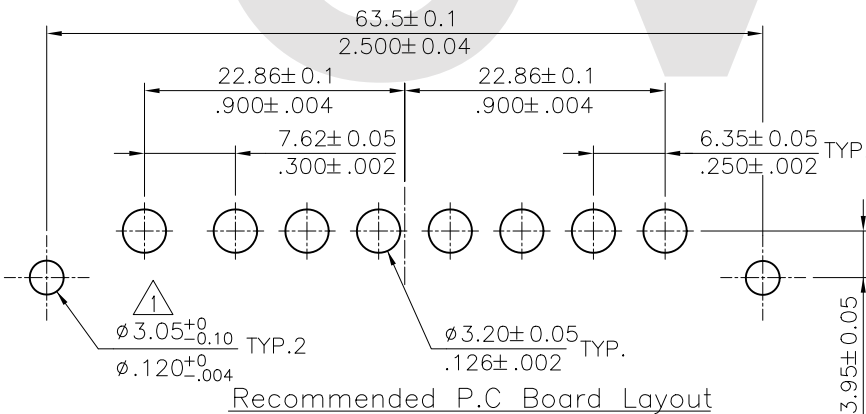
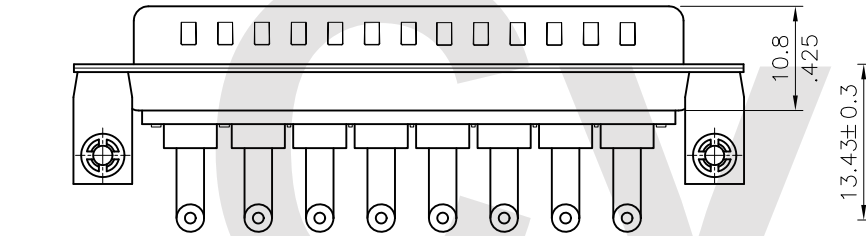
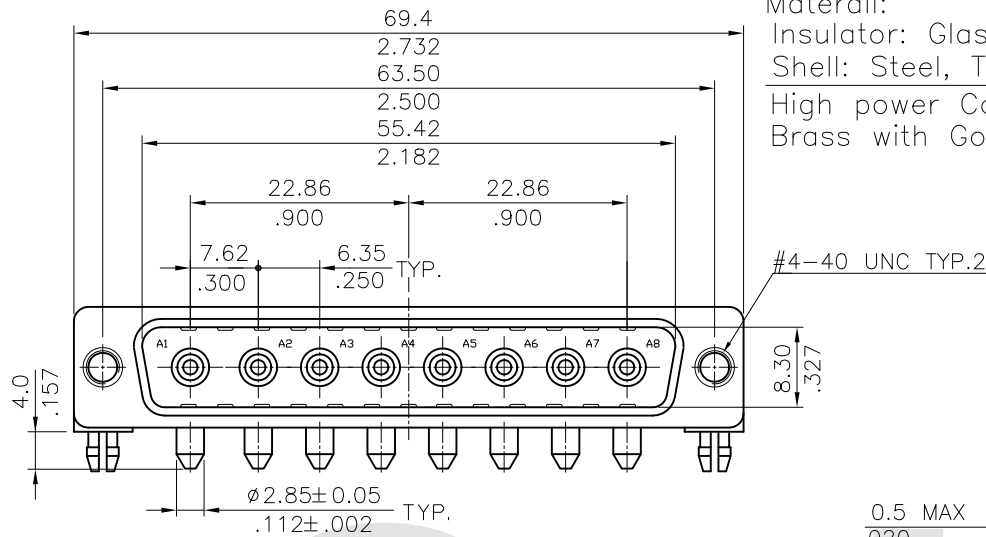


Material:
 Insulator: Glass filled Polyester UL 94V-0
 Shell: Steel, Tin plated as standard
 High power Contact:
 Brass with Gold plated

Ordering Code

C8W8 P P H 3 0 1 20 I10
 ① ② ③ ④ ⑤ ⑥ ⑦ ⑧ ⑨

- ① Series No.
- ② Connector Type: P= Plug
- ③ Contact type: P= High Power Contact
- ④ Contact tail style: H= Right Angle Dip type
- ⑤ High power contact plating:
 2= Gold flash plated over Nickel
 3= 15μ" Gold plated over Nickel
 4= 30μ" Gold plated over Nickel
 5= 50μ" Gold plated over Nickel
- ⑥ Singal contact plating:
 0= Without singal contact
- ⑦ Insulator color: 1= Black, 6= Green
- ⑧ Performance: 20= 20A
- ⑨ Mounting Style:
 000= With ø3.05mm holes on shell
 B00= Riveted #4-40 UNC open nuts on front shell
 C00= Riveted #4-40 UNC open nuts on rear shell
 I00= Riveted #4-40 UNC ground tabs
 with ø3.2mm holes
 I10= Riveted #4-40 UNC ground tabs
 with board locks(standard)



Mounting Style

Code	000	Code	B00	Code	C00	Code	I00	Code	I10
			DIM. L= 4.0mm		DIM. L= 4.0mm		øA=3.2mm		

④					DATE	UNIT: mm / inch	TITLE: C8W8 20A HIGH POWER MALE D-SUB CONNECTOR (RIGHT ANGLE BOARD MOUNT TYPE)	瀚荃股份有限公司 CviLux Corporation
③				DRAWN BY: Karen	3/20-17'	TOLERANCE UNLESS OTHERWISE SPECIFIED		
②				ENGINEER: Sun	3/20-17'	.X ± 0.30/012 X: ± 1'		
①	Karen	3/20-17'	ECNT117049/ECRT117003	CHECKED BY: Eisley	3/22-17'	.XX ± 0.20/008 .X: ±	MATERIAL:	DRAWING NO. C8W811SC PART NO. C8W8PPH*0*20***
SYM	NAME	DATE	REVISIONS	APPROVED BY: Eisley	3/22-17'	.XXX ± 0.10/004 .XX: ±	FINISH:	SCALE 2 / 1 SHEET 1 OF 1

2017.03.23
ISSUED