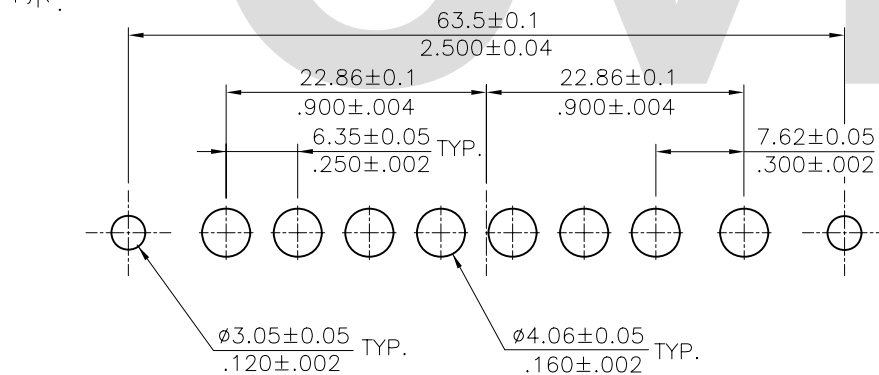
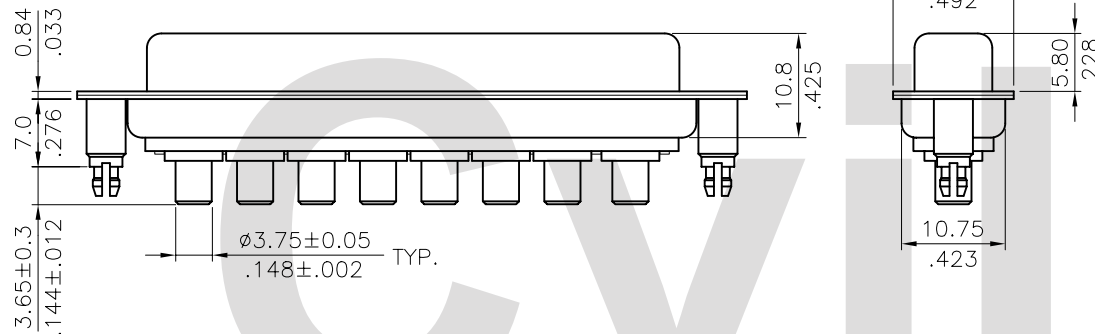


Material:  
 Insulator: Glass filled Polyester UL 94V-0  
 Shell: Steel, Tin plated as standard  
 High power Contact:  
 Brass with Gold plated

### Ordering Code

C8W8 S P V 3 0 1 40 D00  
 ① ② ③ ④ ⑤ ⑥ ⑦ ⑧ ⑨

- ① Series No.
- ② Connector Type: S= Receptacle
- ③ Contact type: P= High Power Contact
- ④ Contact tail style: V= Straight Dip type
- ⑤ High power contact plating:  
 2= Gold flash plated over Nickel  
 3= 15μ" Gold plated over Nickel  
 4= 30μ" Gold plated over Nickel  
 5= 50μ" Gold plated over Nickel
- ⑥ Singal contact plating:  
 0= Without singal contact
- ⑦ Insulator color: 1= Black, 6= Green
- ⑧ Performance: 40= 40A
- ⑨ Mounting Style:  
 000= With ø3.05mm holes on shell  
 B00= Riveted #4-40 UNC open nuts on front shell  
 C00= Riveted #4-40 UNC open nuts on rear shell  
 D00= Riveted #4-40 UNC ground stand-off on rear shell(standard)



Recommended P.C Board Layout

### Mounting Style

RoHS Compliant

Code	000	Code	B00	Code	C00	Code	D00
			DIM. L= 4.0mm		DIM. L= 4.0mm		DIM. L= 7.0mm

4					DATE	UNIT: mm / inch	TITLE: C8W8 40A HIGH POWER FEMALE D-SUB CONNECTOR (TOP ENTRY BOARD MOUNT TYPE)
3				DRAWN BY: Rita	10/18-01'	TOLERANCE UNLESS OTHERWISE SPECIFIED	
2				ENGINEER: David	10/19-01'	.X ± 0.30/012 X' ± 1'	
1				CHECKED BY: David	10/19-01'	.XX ± 0.20/008 .X' ±	
SYM	NAME	DATE	REVISIONS	APPROVED BY: Alex	10/19-01'	.XXX ± 0.10/004 .XX' ±	



瀚荃股份有限公司  
CviLux Corporation

DRAWING NO.	C8W810SB	PART NO.	C8W8SPV*0*40*00
SCALE	2 / 1	SHEET	1 OF 1