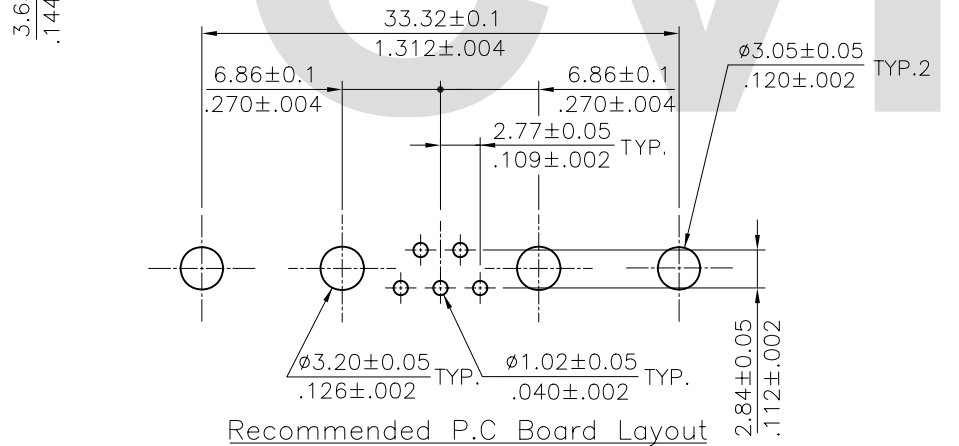
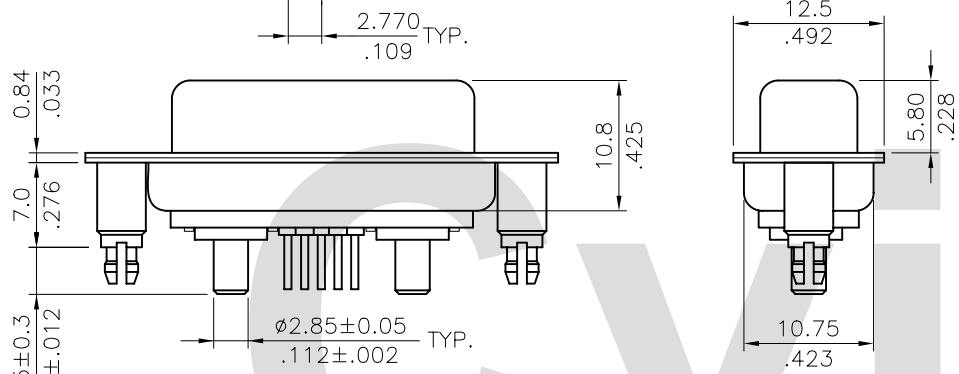


Material:
 Insulator: Glass filled Polyester UL 94V-0
 Contact: Copper alloy
 Shell: Steel, Tin plated as standard

High power Contact :
 Brass with Gold plated
 #4-40 UNC TYP.2



Ordering Code

C7W2 S P V 3 2 1 20 D00
 ① ② ③ ④ ⑤ ⑥ ⑦ ⑧ ⑨

- ① Series No.
- ② Connector Type: S= Receptacle
- ③ Contact type: P= High Power Contact
- ④ Contact tail style: V= Straight Dip type
- ⑤ High power contact plating:
 2= Gold flash plated over Nickel
 3= 15μ" Gold plated over Nickel
 4= 30μ" Gold plated over Nickel
 5= 50μ" Gold plated over Nickel
- ⑥ Singal contact plating:
 2= Gold flash plated over Nickel
 3= 15μ" Gold plated over Nickel
 4= 30μ" Gold plated over Nickel
- ⑦ Insulator color: 1= Black, 6= Green
- ⑧ Performance: 20= 20A
- ⑨ Mounting Style:
 000= With ø3.05mm holes on shell
 B00= Riveted #4-40 UNC open nuts on front shell
 C00= Riveted #4-40 UNC open nuts on rear shell
 D00= Riveted #4-40 UNC ground stand-off on rear shell(standard)

Mounting Style				RoHS Compliant			
Code	000	Code	B00	Code	C00	Code	D00
			DIM. L= 4.0mm		DIM. L= 4.0mm		DIM. L= 7.0mm

4				DATE	UNIT: mm / inch	TITLE: C7W2 20A HIGH POWER FEMALE D-SUB CONNECTOR (TOP ENTRY BOARD MOUNT TYPE) MATERIAL: FINISH:
3			DRAWN BY: Rita	10/18-01'	TOLERANCE UNLESS OTHERWISE SPECIFIED	
2			ENGINEER: David	10/18-01'	.X ± 0.30/.012 X: ± 1'	
1			CHECKED BY: David	10/18-01'	.XX ± 0.20/.008 .X: ±	
SYM	NAME	DATE	APPROVED BY: Alex	10/18-01'	.XXX ± 0.10/.004 .XX ±	

CVILUX.CORP.
 2001.10.22
 ISSUED

瀚荃股份有限公司
CviLux Corporation

DRAWING NO.	C7W208SB	PART NO.	C7W2SPV***20*00
SCALE	2 / 1	SHEET	1 OF 1