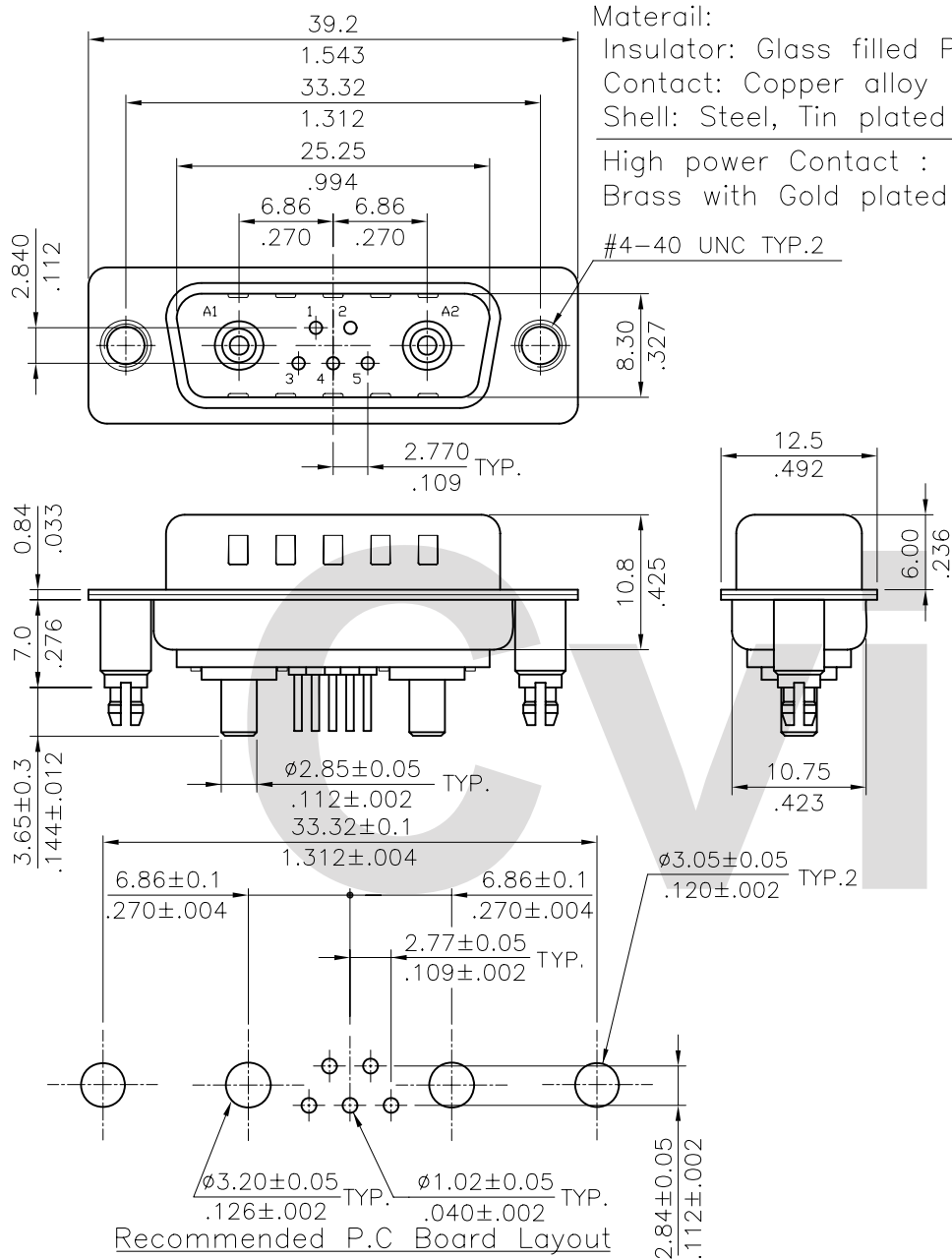


Material:  
 Insulator: Glass filled Polyester UL 94V-0  
 Contact: Copper alloy  
 Shell: Steel, Tin plated as standard

High power Contact :  
 Brass with Gold plated

#4-40 UNC TYP.2



### Ordering Code

C7W2 P P V 3 2 1 20 D00  
 ① ② ③ ④ ⑤ ⑥ ⑦ ⑧ ⑨

- ① Series No.
- ② Connector Type: P= Plug
- ③ Contact type: P= High Power Contact
- ④ Contact tail style: V= Straight Dip type
- ⑤ High power contact plating:  
 2= Gold flash plated over Nickel  
 3= 15 $\mu$ " Gold plated over Nickel  
 4= 30 $\mu$ " Gold plated over Nickel  
 5= 50 $\mu$ " Gold plated over Nickel
- ⑥ Singal contact plating:  
 2= Gold flash plated over Nickel  
 3= 15 $\mu$ " Gold plated over Nickel  
 4= 30 $\mu$ " Gold plated over Nickel
- ⑦ Insulator color: 1= Black, 6= Green
- ⑧ Performance: 20= 20A
- ⑨ Mounting Style:  
 000= With  $\phi$ 3.05mm holes on shell  
 B00= Riveted #4-40 UNC open nuts on front shell  
 C00= Riveted #4-40 UNC open nuts on rear shell  
 D00= Riveted #4-40 UNC ground stand-off on rear shell(standard)

### Mounting Style

RoHS Compliant

Code	000	Code	B00	Code	C00	Code	D00
			DIM. L= 4.0mm		DIM. L= 4.0mm		DIM. L= 7.0mm

**CVILUX.CORP**  
**2001.10.22**  
**ISSUED**

④					DATE	UNIT: mm / inch	TITLE: C7W2 20A HIGH POWER MALE D-SUB CONNECTOR (TOP ENTRY BOARD MOUNT TYPE) MATERIAL: FINISH:	瀚荃股份有限公司 CviLux Corporation
③			DRAWN BY: Rita	10/18-01'	TOLERANCE UNLESS OTHERWISE SPECIFIED			
②			ENGINEER: David	10/18-01'	.X $\pm$ 0.30/012 X' $\pm$ 1'			
①			CHECKED BY: David	10/18-01'	.XX $\pm$ 0.20/008 .X' $\pm$			
SYM	NAME	DATE	APPROVED BY: Alex	10/18-01'	.XXX $\pm$ 0.10/004 .XX' $\pm$		DRAWING NO. C7W207SB	PART NO. C7W2PPV***20*00
		REVISIONS			SCALE	2 / 1	SHEET 1 OF 1	