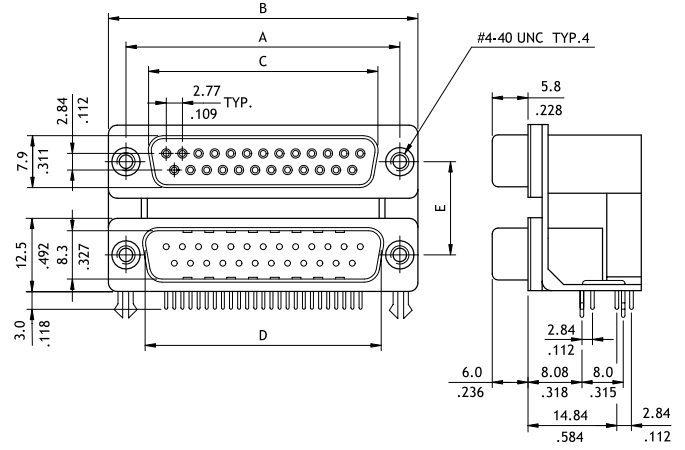
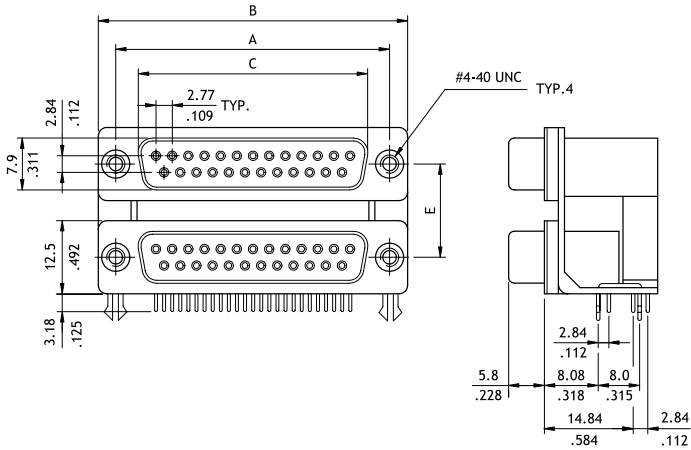
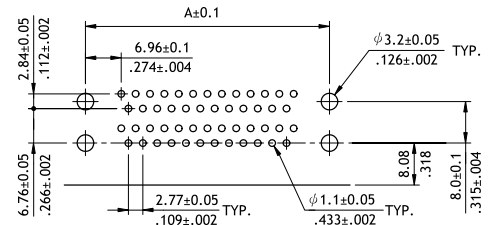


**CD81 Series Stacked Right Angle DIP Solder D-Sub**

- ⊙ Mate with standard D-Sub
- ⊙ With shell and solder tails
- ⊙ Optional row spacing and positions
- ⊙ In various pin configuration



CVILUX P/N	Dimension				
	A	B	C	D	E
CD81V15**A*	25.0(.984)	30.8(1.213)	16.3(.642)	16.92(.666)	15.88(.625)
CD81V25**A*	33.32(1.312)	39.2(1.543)	24.6(.969)	25.25(.994)	
CD81V35**A*	47.04(1.852)	53.1(2.091)	38.3(1.508)	38.96(1.534)	
CD81V75**A*	63.5(2.500)	69.4(2.732)	54.8(2.157)	55.42(2.182)	
CD81V15**B*	25.0(.984)	30.8(1.213)	16.3(.642)	16.92(.666)	19.05(.750)
CD81V25**B*	33.32(1.312)	39.2(1.543)	24.6(.969)	25.25(.994)	
CD81V35**B*	47.04(1.852)	53.1(2.091)	38.3(1.508)	38.96(1.534)	
CD81V75**B*	63.5(2.500)	69.4(2.732)	54.8(2.157)	55.42(2.182)	
CD81V15**C*	25.0(.984)	30.8(1.213)	16.3(.642)	16.92(.666)	22.86(.900)
CD81V25**C*	33.32(1.312)	39.2(1.543)	24.6(.969)	25.25(.994)	
CD81V35**C*	47.04(1.852)	53.1(2.091)	38.3(1.508)	38.96(1.534)	
CD81V75**C*	63.5(2.500)	69.4(2.732)	54.8(2.157)	55.42(2.182)	



Recommended P.C. Board Layout

**Ordering Code**



- 1** Series No.
- 2** Contacts configuration:  
 V1= 9 to 9, V2= 15 to 15,  
 V3= 25 to 25, V4= 9 to 25  
 V5= 25 to 9, V6= 25 to 15  
 V7= 37 to 37
- 3** Connector type:  
 SS= Receptacle to receptacle  
 SP= Receptacle to plug
- 4** Plating code:  
 A= Selective Gold flash over Nickel  
 \*Optional plating available but MOQ requested
- 5** Row spacing:  
 A:Dim.E= 15.88mm  
 B:Dim.E= 19.05mm  
 C:Dim.E= 22.86mm
- 6** Other options:  
 C= Riveted ground hooks  
 with #4-40 UNC open (Standard)  
 S= Riveted ground hooks  
 pre-loaded #4-40 UNC  
 Hex screws  
 \*Special options consult manufacturer