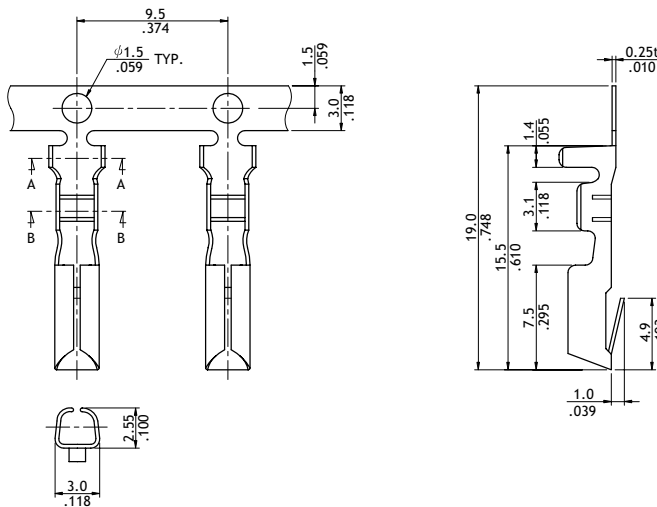
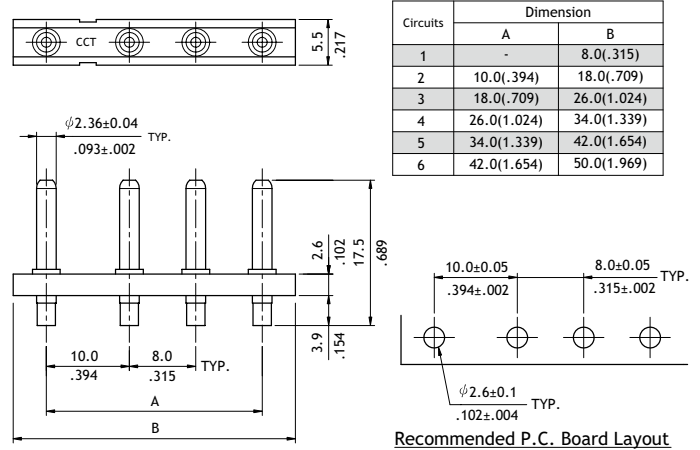
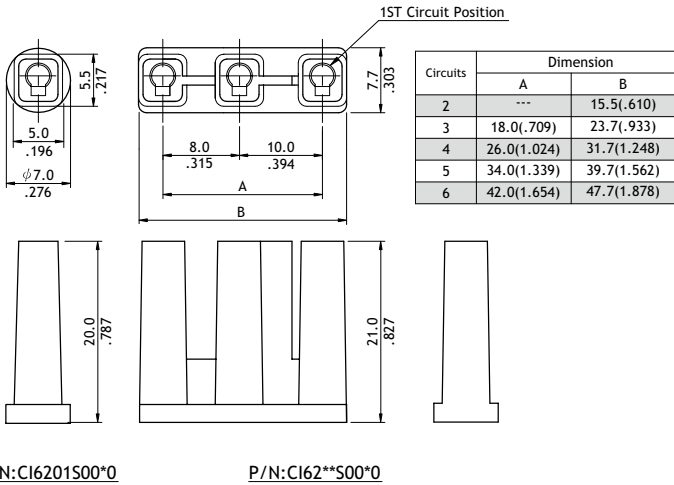
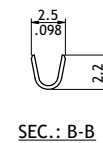
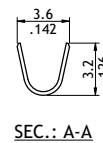


CI62 Series 10.0-8.0mm(.394-.315") Wire to Board Connectors

- ⊙ Mate with CI62 header
- ⊙ Can be used CI62 crimp clip terminal
- ⊙ Header insulator: Nylon 66 UL 94V-0 , Color Nature
- ⊙ With Tin plated 2.36mm round pin
- ⊙ Terminal: Tin plated Brass



Part No.	Wire Range	Insulation Diameter	Reel Q'ty
CI62T031BE0	AWG #18-#22	2.9 (.114) MAX.	6,000 PCS



Ordering Code

1 **2** **3** **4**
CI62 06 S 0090

- ① Series No.
- ② No. of Circuits: 01 to 06
- ③ S = Housing
- ④ Other Options:
 0090 = Color Gray
 0010 = Color Black
 *Special options consult manufacturer

1 **2** **3** **4** **5** **6**
CI62 06 P 1 V 00

- ① Series No.
- ② No. of Circuits: 01 to 06
- ③ P = Pin header
- ④ Plating: 1 = Tin over Nickel
- ⑤ Type: V = Straight
- ⑥ Other Options: 00 = Standard
 *Special options consult manufacturer