

Notes:

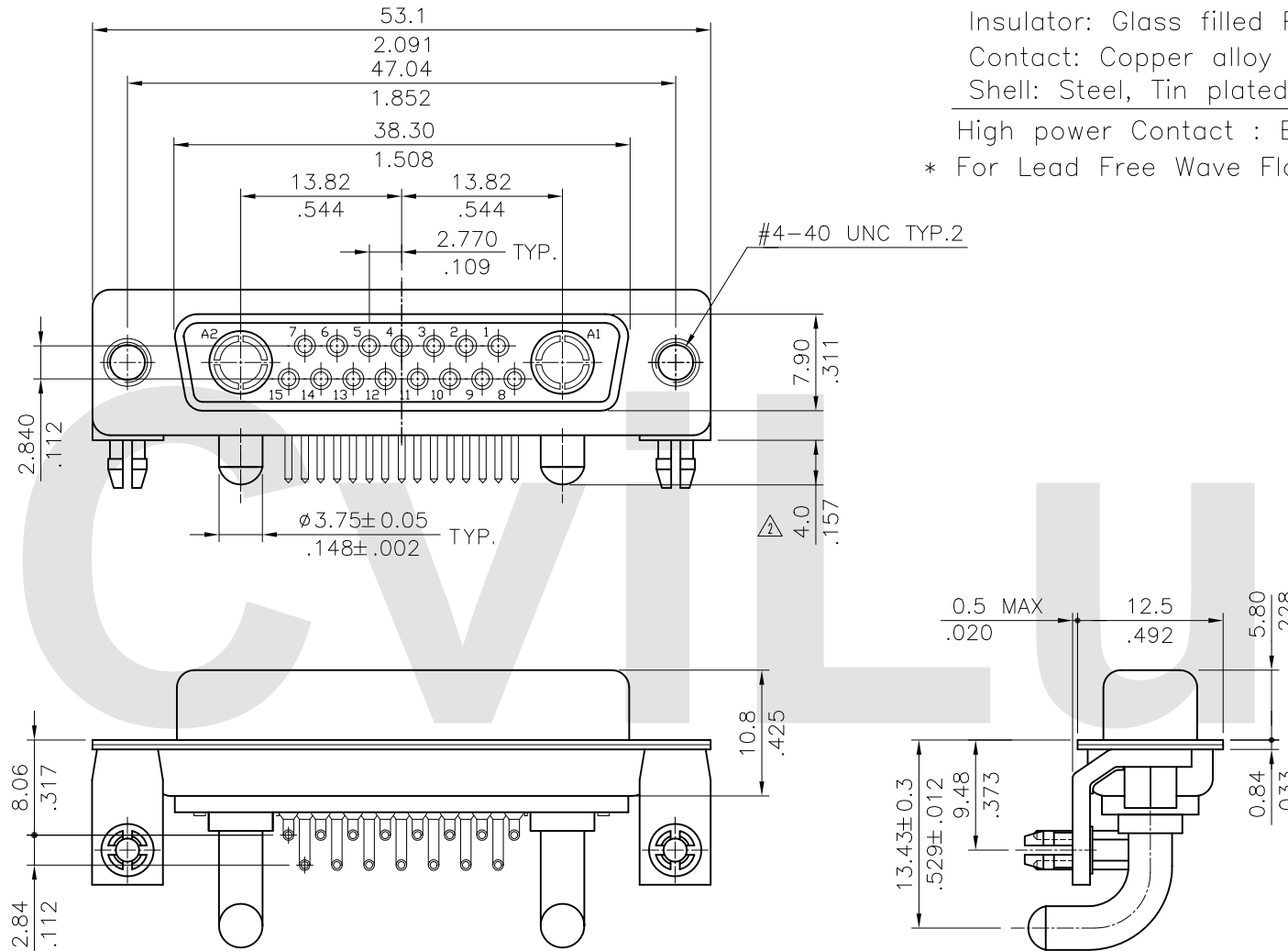
Insulator: Glass filled Polyester UL 94V-0

Contact: Copper alloy

Shell: Steel, Tin plated as standard



High power Contact : Brass with Gold plated

\* For Lead Free Wave Flow Process



Lead Free Process

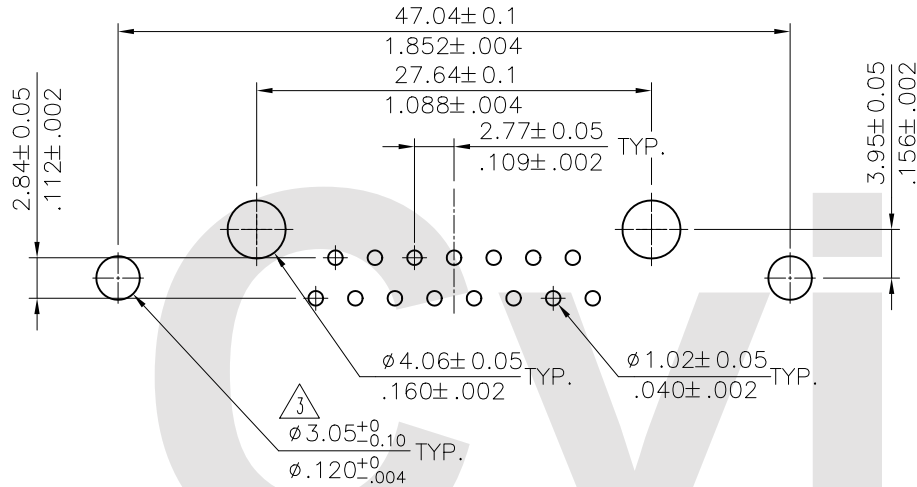
RoHS Compliant

4				 <b>2017.04.27</b> <b>ISSUED</b>		DATE	UNIT: mm / inch	TITLE: 17W2 40A HIGH POWER FEMALE D-SUB CONNECTOR (RIGHT ANGLE TYPE)  MATERIAL:  FINISH:	 瀚荃股份有限公司 CviLux Corporation		
	3	Karen	4/18-17'		ECNT117049/ECRT117003	DRAWN BY:	Karen			4/20-17'	TOLERANCE UNLESS OTHERWISE SPECIFIED
	2	Jim	10/13/06		ECR06094-0/ECN06369	ENGINEER:	Sun			4/21-17'	.X ± 0.30/012 X: ± .XX ± 0.20/008 .X: ±
	1	SUN	3/24/05		ECR05025-0/ECN05095	CHECKED BY:	Eisley			4/21-17'	.XXX ± 0.10/004 .XX: ±
SYM	NAME	DATE	REVISIONS	APPROVED BY:	Eisley	4/21-17'		DRAWING NO. 17W214SE	PART NO. 17W2SPH***40***		
								SCALE 2 / 1	SHEET 1 OF 2		

# Ordering Code

$\frac{17W2}{①}$   $\frac{S}{②}$   $\frac{P}{③}$   $\frac{H}{④}$   $\frac{3}{⑤}$   $\frac{2}{⑥}$   $\frac{1}{⑦}$   $\frac{40}{⑧}$   $\frac{I10}{⑨}$

- ① Series No.
- ② Connector Type: S= Receptacle
- ③ Contact type: P= High Power Contact
- ④ Contact tail style: H= Right Angle Dip type
- ⑤ High power contact plating:
  - 2= Gold flash plated over Nickel
  - 3= 15 $\mu$ " Gold plated over Nickel
  - 4= 30 $\mu$ " Gold plated over Nickel
  - 5= 50 $\mu$ " Gold plated over Nickel
- ⑥ Signal contact plating:
  - 2= Gold flash plated over Nickel
  - 3= 15 $\mu$ " Gold plated over Nickel
  - 4= 30 $\mu$ " Gold plated over Nickel
- ⑦ Insulator color: 1= Black, 6= Green
- ⑧ Performance: 40= 40A
- ⑨ Mounting Style:
  - 000= With  $\phi 3.05$ mm holes on shell
  - B00= Riveted #4-40 UNC open nuts on front shell
  - C00= Riveted #4-40 UNC open nuts on rear shell
  - I00= Riveted #4-40 UNC ground tabs with  $\phi 3.2$ mm holes
  - I10= Riveted #4-40 UNC ground tabs with board locks(standard)



Recommended P.C Board Layout

Lead Free Process

RoHS Compliant

Mounting Style		Code		Code		Code		Code	
		000	B00	C00	I00	I10			
		DIM. L= 4.0mm		DIM. L= 4.0mm		$\phi A=3.2$ mm			

④						DATE	UNIT: mm / inch	TITLE: 17W2 40A HIGH POWER FEMALE D-SUB CONNECTOR (RIGHT ANGLE TYPE)	瀚荃股份有限公司 CviLux Corporation
③	Karen	4/18-17'	ECNT117049/ECRT117003	2017.04.27	DRAWN BY:	Karen	4/20-17'	TOLERANCE UNLESS OTHERWISE SPECIFIED	
②	Jim	10/13/06'	ECR06094-0/ECN06369	ISSUED	ENGINEER:	Sun	4/21-17'	.X ± 0.30/.012 X: ±	
①	SUN	3/24/05'	ECR05025-0/ECN05095		CHECKED BY:	Eisley	4/21-17'	.XX ± 0.20/.008 .X: ±	
SYM	NAME	DATE	REVISIONS		APPROVED BY:	Eisley	4/21-17'	.XXX ± 0.10/.004 .XX: ±	MATERIAL:  FINISH:
									DRAWING NO. 17W214SE PART NO. 17W2SPH***40***
									SCALE 2 / 1 SHEET 2 OF 2