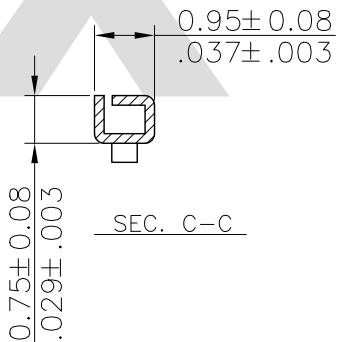
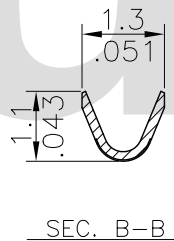
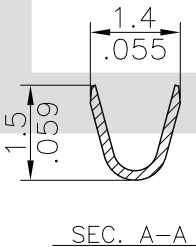
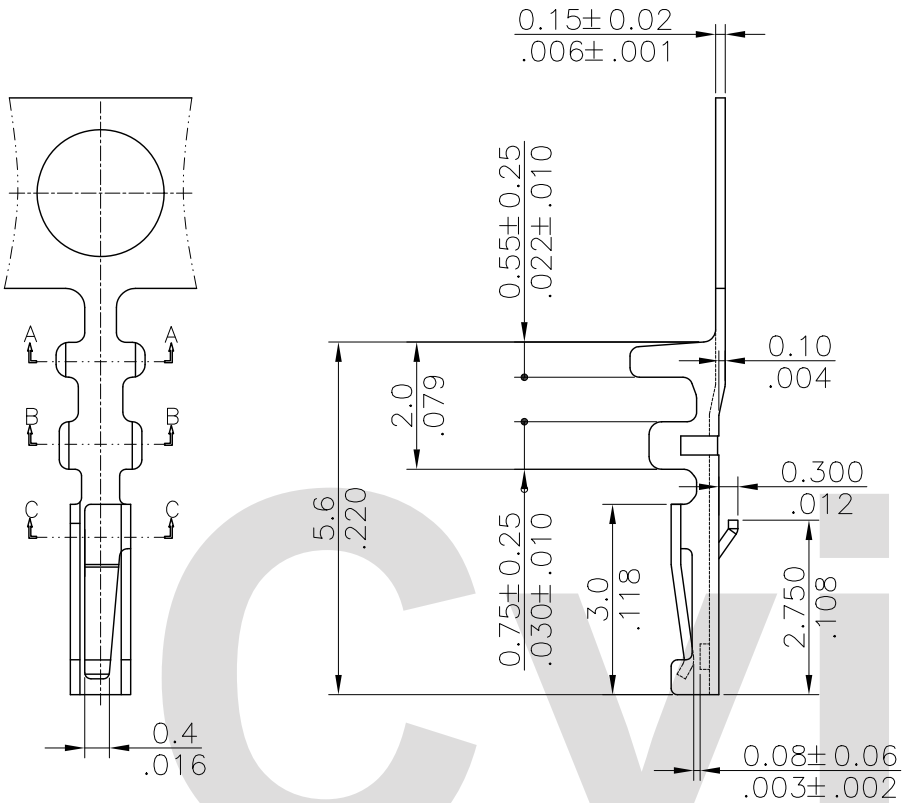


Wire Range	Insulation Diameter	Reel Q'ty
AWG #28~#32	1.00 (.039) MAX.	20,000 PCS

Ordering Code


CI42 T01 1 P P 0
 ① ② ③ ④ ⑤ ⑥

- ① Series No.
- ② Type: T01= AWG #28 ~ #32
- ③ Plating: 1= 2.03μm(80μ") Min. Tin over 0.76μm(30μ") Nickel
- ④ Material: P= Phosphor Bronze
- ⑤ Plating method: P= Post Plating
- ⑥ Option: 0= Standard



RoHS Compliant

CVILUX CORP
 2012.12.07
 ISSUED

SYM	NAME	DATE	REVISIONS	APPROVED BY:	DATE	UNIT: mm / inch	TITLE: FOR CI42 SERIES CRIMP TERMINAL	 瀚荃股份有限公司 CviLux Corporation
4						UNIT: mm / inch	MATERIAL:	
3				DRAWN BY: Karen	11/16-12'	TOLERANCE UNLESS OTHERWISE SPECIFIED	FINISH:	
2				ENGINEER: Eisley	11/19-12'	.X ± 0.25/.010 X' ± 1"		
1				CHECKED BY: Eisley	11/19-12'	.XX ± 0.15/.006 .X' ±		DRAWING NO. CI4207SA PART NO. CI42T011PPO
				APPROVED BY: David	11/19-12'	.XXX ± 0.08/.003 .XX' ±		SCALE 5 / 1 SHEET 1 OF 1