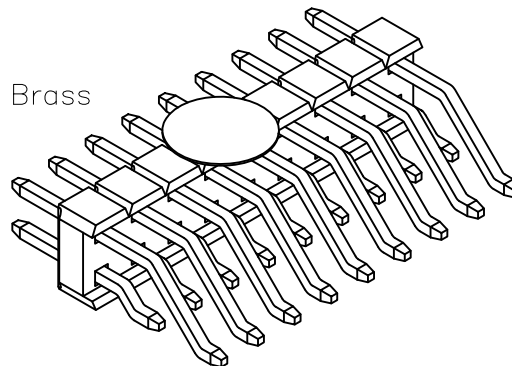


Notes:  
 \* Material:  
 Contact: Brass



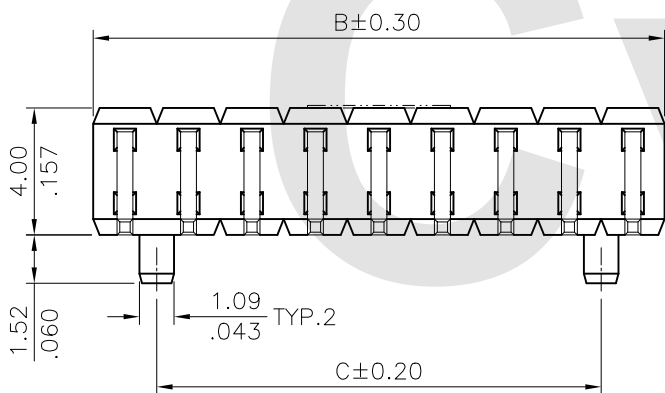
### Ordering Code

CH71 \*\* 1 S B 10 -0M  
 ① ② ③ ④ ⑤ ⑥ ⑦

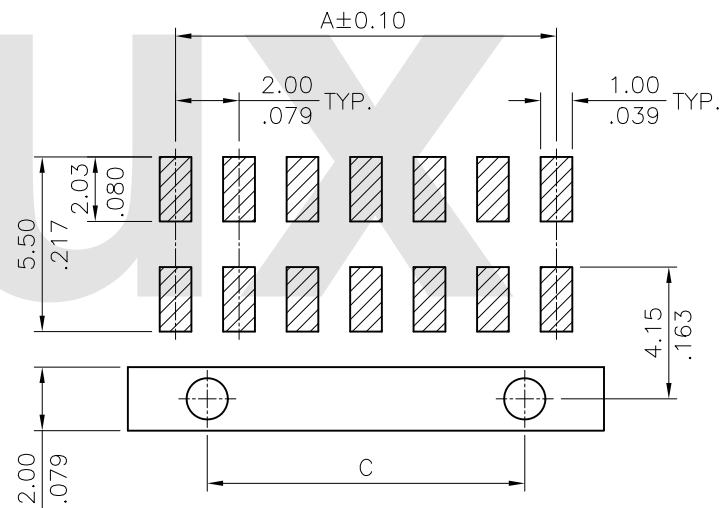
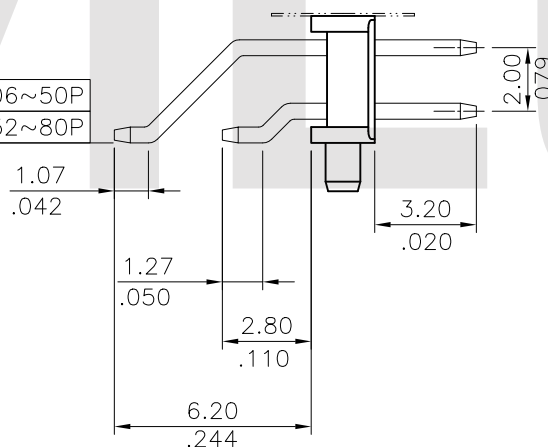
- ① Series No.
- ② No. of Circuits
- ③ Plating Code:  
 1=3.05μm(120μ") Min. Matte Tin  
 over 0.76μm(30μ") Nickel
- ④ S= Side entry SMT Type
- ⑤ Insulation:  
 B= Nylon 9T UL 94V-0, Color Black
- ⑥ Pin Length Option cord:
- ⑦ -0M=With Mylar  
 (Tape & Reel packing)

A = 2.00 \* No. of Spaces  
 B = A + 2.00  
 C = A - 2.00

\* Available in 6 through 80 circuits



0.10	06~50P
0.12	52~80P



Recommended P.C. Board Layout  
 General Tolerance ±0.05

06~20pin: 0.10mm MAX.  
 22~50pin: 0.20mm MAX.  
 52~80pin: 0.30mm MAX.

Lead Free Process

RoHS compliant

4					DATE	UNIT: mm / inch	TITLE: 2.00MM(.079") RIGHT ANGLE DUAL ROW BOARD MOUNT PIN HEADER		
3				DRAWN BY: Sandy	6/29-15'	TOLERANCE UNLESS OTHERWISE SPECIFIED	MATERIAL:		
2				ENGINEER: Sun	6/30-15'			.X ± 0.30 / .012	.X' ± 1'
1				CHECKED BY: Eisley	7/03-15'			.XX ± 0.20 / .008	.X' ±
SYM	NAME	DATE	REVISIONS	APPROVED BY: Eisley	7/03-15'	.XXX ± 0.10 / .004	.XX' ±		

CVILUX CORP  
 2015.07.09  
 ISSUED



瀚荃股份有限公司  
 CviLux Corporation

DRAWING NO.	CH71145SA	PART NO.	CH71**1SB10-0M
SCALE	4 / 1	SHEET	1 OF 1