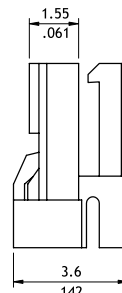
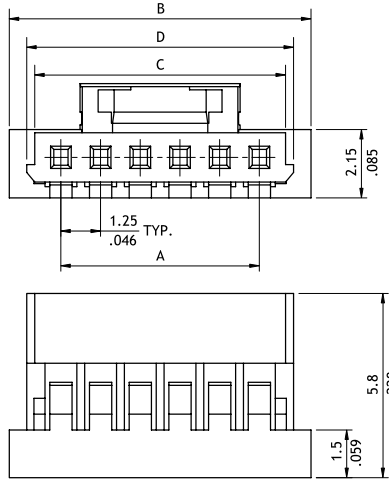
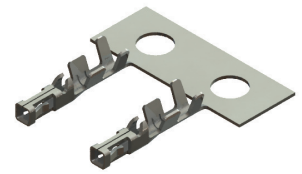
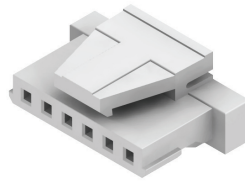


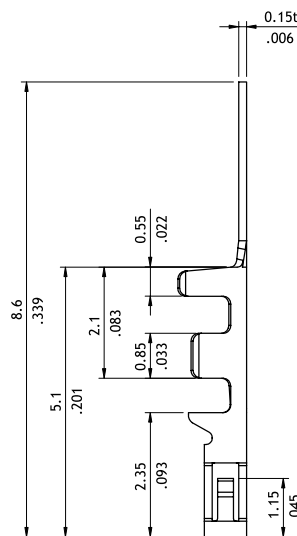
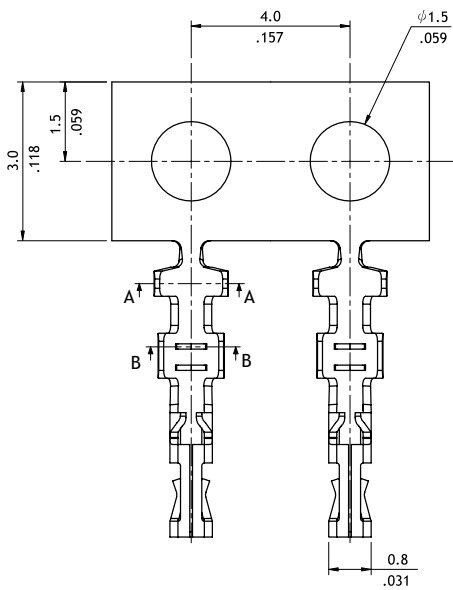
**CI46 Series 1.25mm(.049") Wire to Board Connectors Housing & Terminal**

- With locking latch provide secure mating
- Mate with CI46 Header
- Can be used CI46 Crimp Clip Terminal
- Insulator: Nylon 66 UL 94V-0, Color Nature

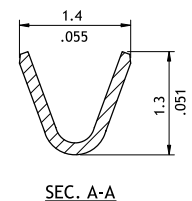
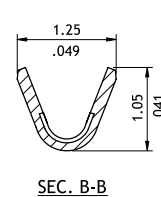
**RoHS Compliant** (HF)



A = 1.25 x No. of Spaces  
 B = A + 3.25  
 C = A + 1.65  
 D = A + 2.15



Wire Range	Insulation Diameter	Reel Qty
AWG #26-#32	0.90 (.035) MAX.	16,000 PCS



**Ordering Code**

**1** CI46 **2** 20 **3** S **4** L **5** 000

- ① Series No.
- ② No. of Circuits: 02 to 20
- ③ S = Housing
- ④ L = With Locking Latch
- ⑤ Other Options: 000 = Standard

**1** CI46 **2** T01 **3** 1 **4** P **5** E **6** 0

- ① Series No.
- ② Type: T01 = AWG #26 ~ #32
- ③ Plating Code: 1 = Tin over Nickel
- ④ Material: P = Phosphor Bronze
- ⑤ Plating Method: E = Pre-tinned
- ⑥ Other Options: 0 = Standard