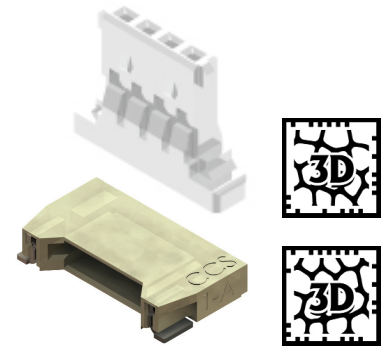


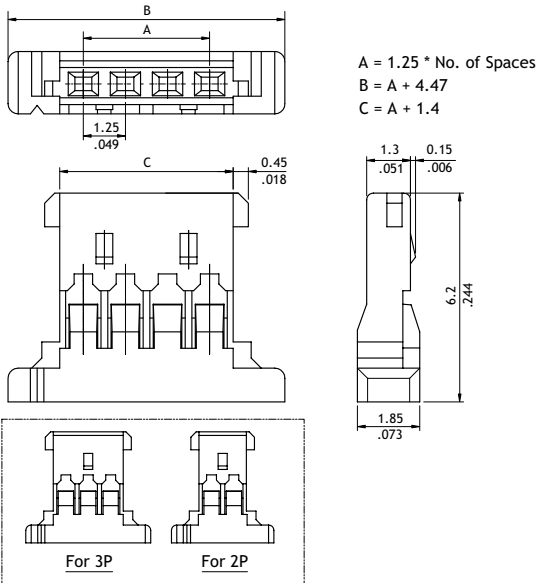
**CI42 Series 1.25mm(.049") Wire to Board Housing & Terminal & SMT Header**

- ⊙ Locking slots provide secure mating
- ⊙ Fixed tabs PCB hold-down and strain-relief for SMT tails
- ⊙ Insulator: High temperature plastic UL 94V-0, Color Nature (Header)
- ⊙ Insulation: Glass filled polyester UL 94V-0, Color Nature (Housing)
- ⊙ With Gold flash plated SMT type contact

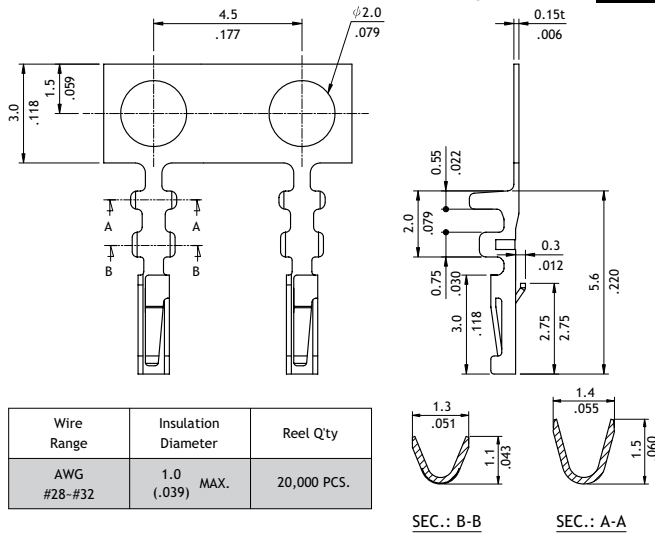
**RoHS Compliant**



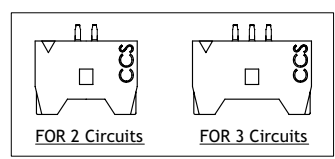
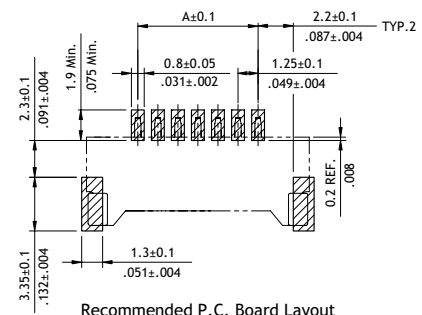
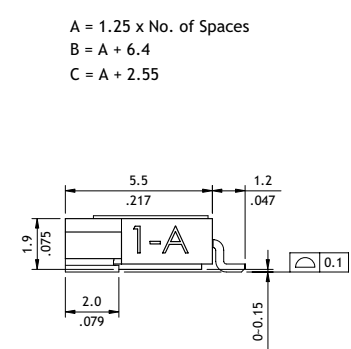
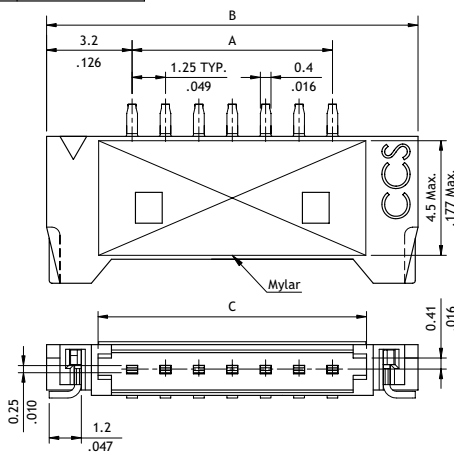
P/N CI42\*\*SL000



P/N CI42T011PP0



P/N CI42\*\*M2HR\*-NH



**Ordering Code**

**1 2 3 4 5**  
**CI42 10 SL 000**

- ① Series No.
- ② No. of Circuits: 02 to 10
- ③ S = Housing
- ④ L = With Latch
- ⑤ Other Options: 000 = Standard

**1 2 3 4 5 6 7 8**  
**CI42 10 M2HRP - NH**

- ① Series No.
- ② No. of Circuits: 02 to 10
- ③ M = SMT Type
- ④ Plating Code:  
2 = Gold flash over 50μ " Nickel
- ⑤ Type: H = Side Entry
- ⑥ Packing Options:  
R = Tape & Reel
- ⑦ Other Options:  
0 = Without Mylar  
P = With Mylar
- ⑧ -NH = For Lead Free IR process and Halogen-Free