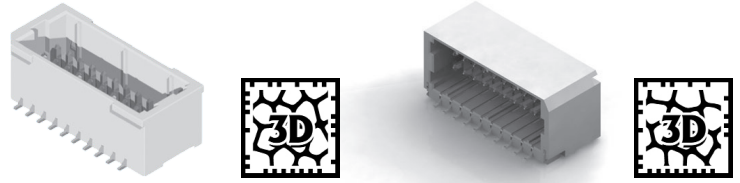
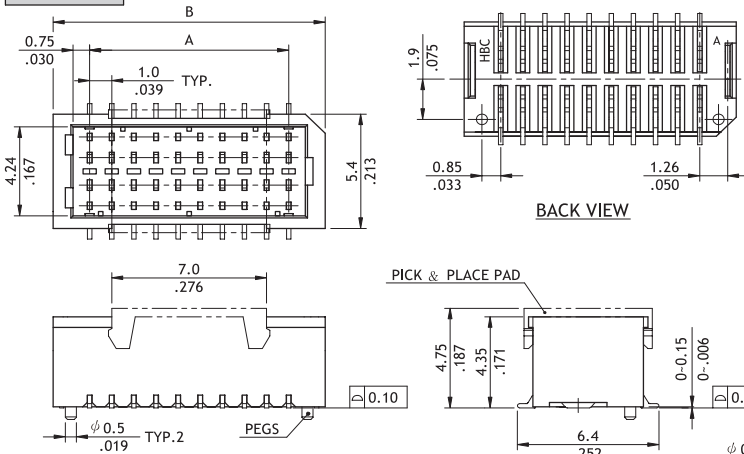


# CI11 Series 1.00mm(.039") Dual Row Wire to Board SMT Headers

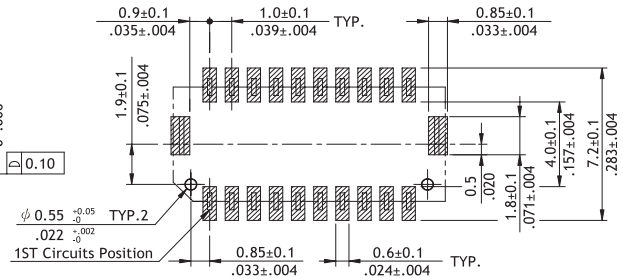
- Polarization and Low-profile
- Locking slots provide secure mating
- Fixed tabs provide PCB hold-down
- With Tin plated SMT type contact



### Top Entry

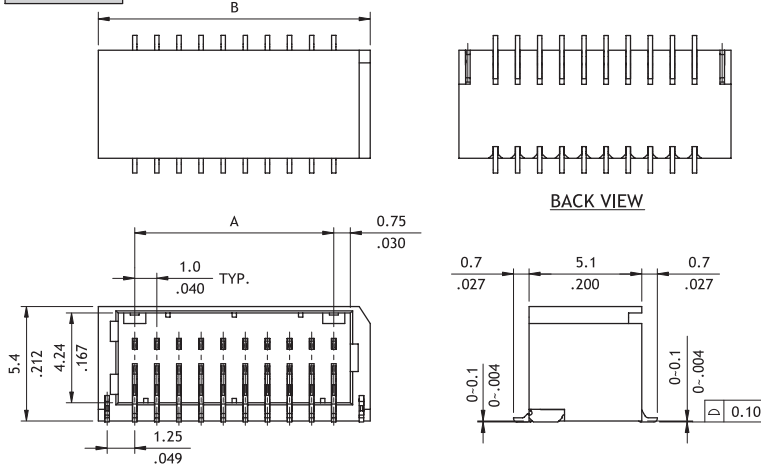


Circuits	Dimension	
	A	B
14	6.0(.236)	9.3(.366)
16	7.0(.276)	10.3(.406)
20	9.0(.354)	12.3(.484)
30	14.0(.511)	17.3(.681)
40	19.0(.748)	22.3(.878)
50	24.0(.945)	27.3(1.075)

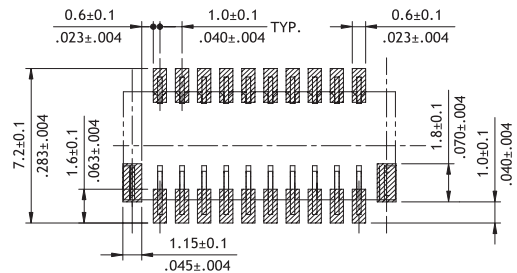


Recommended P.C. Board Layout

### Side Entry



Circuits	Dimension	
	A	B
12	5.0(.197)	8.3(.327)
16	7.0(.276)	10.3(.406)
20	9.0(.354)	12.3(.484)
30	14.0(.551)	17.3(.681)
40	19.0(.748)	22.3(.878)
50	24.0(.945)	27.3(1.075)



Recommended P.C. Board Layout

## Ordering Code

① ② ③ ④ ⑤ ⑥ ⑦ ⑧ ⑨  
**CI1150M2VD0 - R0 - NH**

- ① Series No.
- ② No. of Circuits  
 Top Entry: 14,16,20,30,40,50  
 Side Entry: 12,16,20,30,40,50
- ③ M = SMT Type
- ④ Plating Code:  
 2 = Gold flash over Nickel

- ⑤ Type: V = Top Entry  
 H = Side Entry
- ⑥ D = Dual Row type
- ⑦ Pegs Options:  
 Top Entry: 0 = With Pegs (Standard)  
 1 = Without Peg  
 Side Entry: 0 = Standard

- ⑧ Packing Options:  
 R0 = Tape & Reel  
 T0 = Tube
- ⑨ -NH = For Lead Free IR process and Halogen-Free