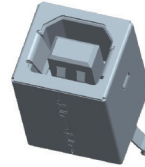
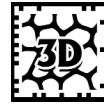
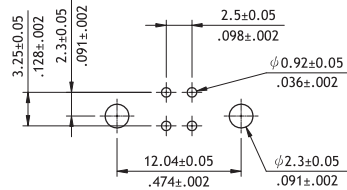
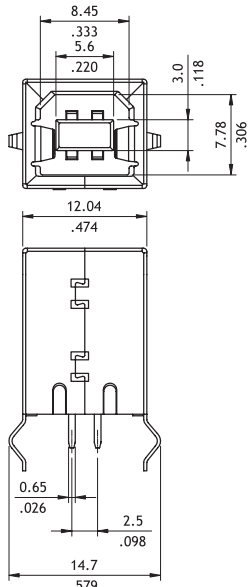


CU02 Series USB2.0 Type-B Receptacle Connectors

- 4-position shielded receptacle connector
- High durability and long cycle life
- Designed to meet the USB 2.0 specifications
- USB 2.0 Approved Test ID: 60000738

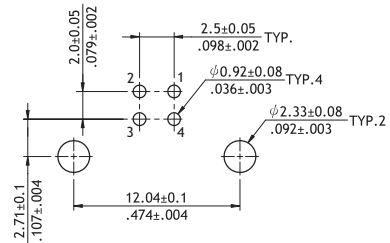
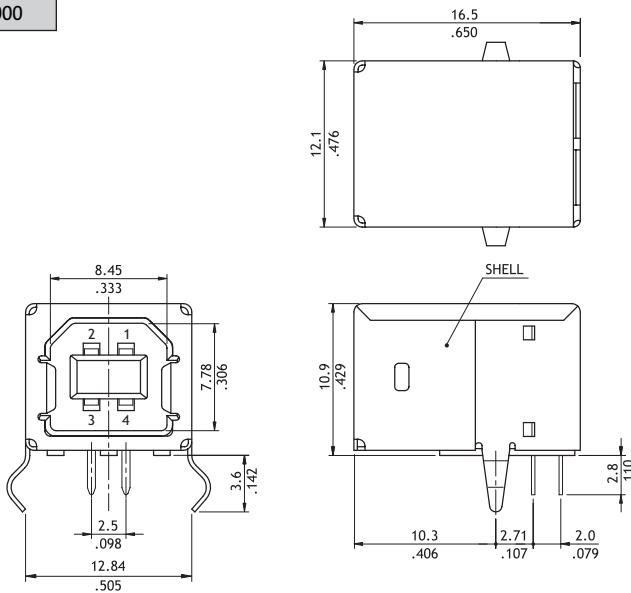


P/N CU02S*V*0**



Recommended P.C. Board Layout

P/N CU02S*H*000



Recommended P.C. Board Layout

Ordering Code

1 **2** **3** **4** **5** **6** **7**
CU02S A H 0 0 00

- 1** Series No.
- 2** S = Socket
- 3** Plating Option:
A = Selective Gold flash plated over Nickel
- 4** Tail Type: V = Straight DIP Type
H = Right Angle DIP Type
- 5** Insulator Color: 1 = Black
0 = White
- 6** 0 = Standard
A = Standard (only for Straight DIP Type)
- 7** Other Options: 00 = Standard