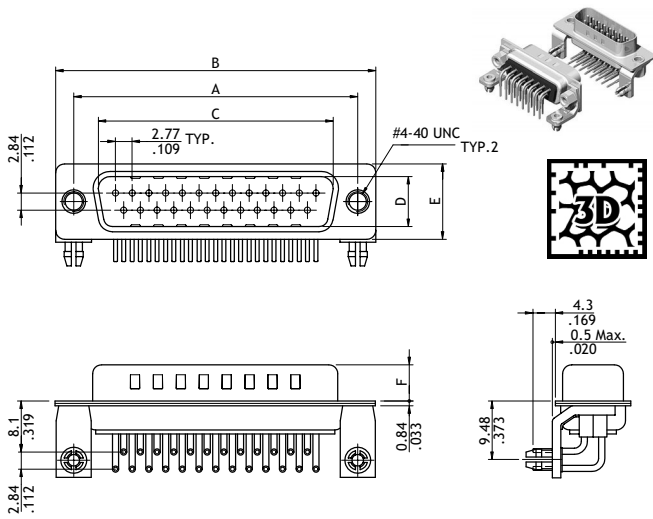
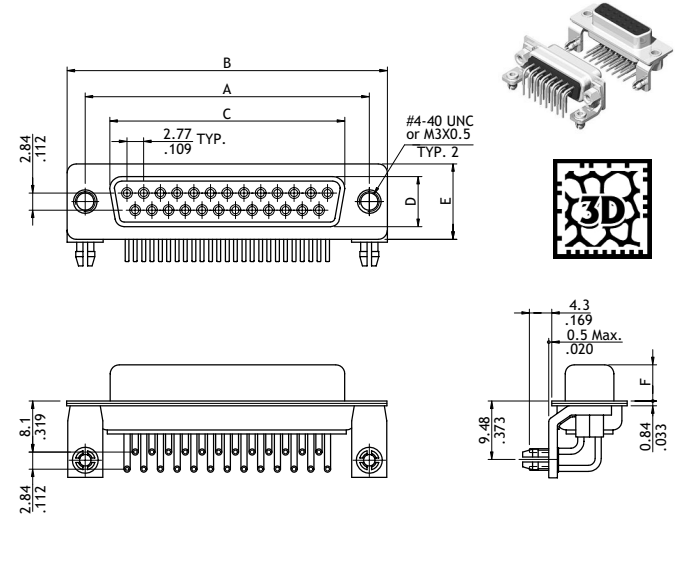


CD73 Series 8.10mm Footprint Right Angle DIP Solder D-Sub

Plug Connector (I1/I3 Type)



Receptacle Connector (I1/I3 Type)



Circuits	Connector Type	Dimension				
		A	B	C	E	F
9	Plug	25.0(.984)	30.8(1.213)	16.92(.666)	12.5(.492)	6.0(.236)
	Receptacle	25.0(.984)	30.8(1.213)	16.3(.642)	12.5(.492)	5.8(.228)
15	Plug	33.32(1.312)	39.2(1.543)	25.25(.994)	12.5(.492)	6.0(.236)
	Receptacle	33.32(1.312)	39.2(1.543)	24.6(.969)	12.5(.492)	5.8(.228)
25	Plug	47.04(1.852)	53.1(2.091)	38.96(1.534)	12.5(.492)	6.0(.236)
	Receptacle	47.04(1.852)	53.1(2.091)	38.3.508)	12.5(.492)	5.8(.228)
37	Plug	63.5(2.500)	69.4(2.732)	55.42(2.182)	12.5(.492)	6.0(.236)
	Receptacle	63.5(2.500)	69.4(2.732)	54.8(2.157)	12.5(.492)	5.8(.228)

Ordering Code

1 2 3 4 5 6
CD73 25 P 2 1 00

- ❶ Series No.
- ❷ No. of Circuits: 09, 15, 25, 37
- ❸ Connector Type: P = Plug
S = Receptacle
- ❹ Plating Option: 2 = Gold flash over Nickel
*Optional plating available but MOQ requested
- ❺ Insulator Color: 1 = Black

- ❻ Other Options:
 00 = With ϕ 3.0mm holes on shell (Standard)
 I0 = Riveted ground tabs #4-40 UNC Open and ground tabs with ϕ 3.2mm holes
 I2 = Riveted ground tabs thread M3x0.5 Open and ground tabs with ϕ 3.2mm holes
 I1 = Riveted ground tabs #4-40 UNC Open and ground tabs with board lock
 I3 = Riveted ground tabs thread M3x0.5 Open and ground tabs with board lock
 *Special options consult manufacturer