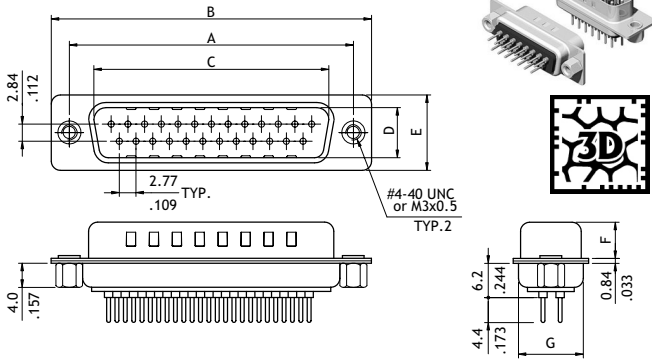
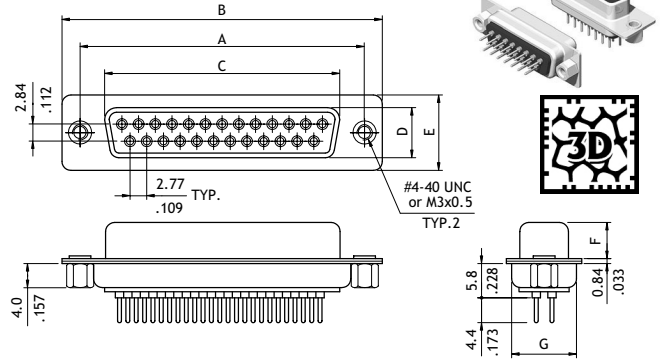


# CD72 Series Machined Contact Straight DIP Solder D-Sub

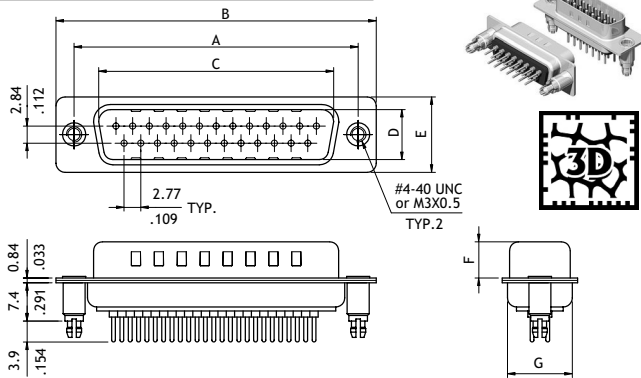
Plug Connector (C0/C1 Type)



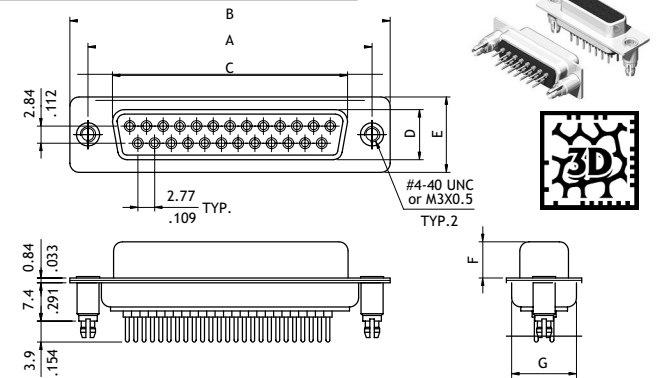
Receptacle Connector (C0/C1 Type)



Plug Connector (D3/D4 Type)



Receptacle Connector (D3/D4 Type)



Circuits	Connector Type	Dimension						
		A	B	C	D	EF	G	
9	Plug	25.0(.984)	30.8(1.213)	16.92(.666)	8.3(.327)	12.5(.492)	6.0(.236)	10.75(.423)
	Receptacle	25.0(.984)	30.8(1.213)	16.3(.642)	7.9(.311)	12.5(.492)	5.8(.228)	10.75(.423)
15	Plug	33.32(1.312)	39.2(1.543)	25.25(.994)	8.3(.327)	12.5(.492)	6.0(.236)	10.75(.423)
	Receptacle	33.32(1.312)	39.2(1.543)	24.6(.969)	7.9(.311)	12.5(.492)	5.8(.228)	10.75(.423)
25	Plug	47.04(1.852)	53.1(2.091)	38.96(1.534)	8.3(.327)	12.5(.492)	6.0(.236)	10.75(.423)
	Receptacle	47.04(1.852)	53.1(2.091)	38.3(1.508)	7.9(.311)	12.5(.492)	5.8(.228)	10.75(.423)
37	Plug	63.5(2.500)	69.4(2.732)	55.42(2.182)	8.3(.327)	12.5(.492)	6.0(.236)	10.75(.423)
	Receptacle	63.5(2.500)	69.4(2.732)	54.8(2.157)	7.9(.311)	12.5(.492)	5.8(.228)	10.75(.423)
50	Plug	61.0(2.402)	67.0(2.638)	52.8(2.079)	11.1(.473)	15.3(.602)	6.0(.236)	13.35(.526)
	Receptacle	61.0(2.402)	67.0(2.638)	52.2(2.055)	10.9(.429)	15.3(.602)	5.8(.228)	13.55(.526)

## Ordering Code

1
2
3
4
5
6  
**CD72 25 P 2 1 00**

- ❶ Series No.
- ❷ No. of Circuits: 09, 15, 25, 37, 50
- ❸ Connector Type: P = Plug (Male)  
S = Receptacle (Female)
- ❹ Plating Option: A = Selective Gold flash over Nickel  
\*Optional plating available but MOQ requested
- ❺ Insulator Color: 1 = Black  
\*Optional insulator color consult manufacturer

- ❻ Other Options:  
 00 = With  $\phi$ 3.0mm holes on shell (Standard)  
 A0 = Riveted #4-40 UNC Close nuts on Front shell  
 A1 = Riveted M3x0.5 Close nuts on Front shell  
 B0 = Riveted #4-40 UNC Open nuts on Front shell  
 B1 = Riveted M3x0.5 Open nuts on Front shell  
 C0 = Riveted #4-40 UNC Open nuts on Rear shell  
 C1 = Riveted M3x0.5 Open nuts on Rear shell  
 D3 = Riveted #4-40 UNC Close ground stand-off on Rear shell  
 D4 = Riveted M3x0.5 Close ground stand-off on Rear shell  
 \*Special options consult manufacturer