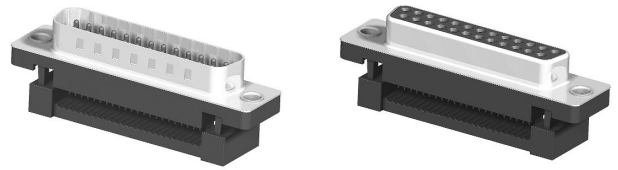
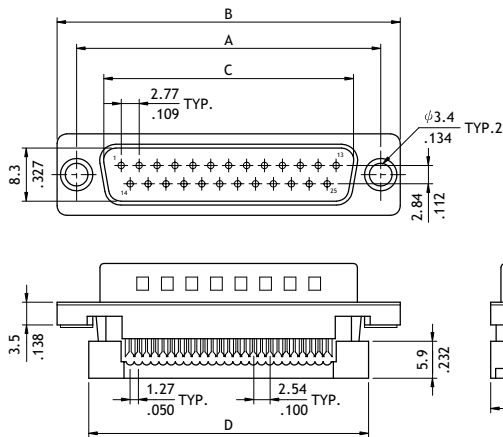


CD91 Series Flat Cable - IDC D-Sub

- Mate with standard D-Sub and CW03 Flat Ribbon Cable
- $\phi 3.4$ mm holes or riveted butts insert available

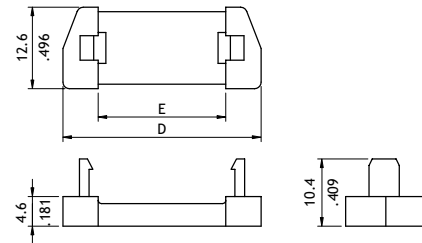


P/N CD91**PA***



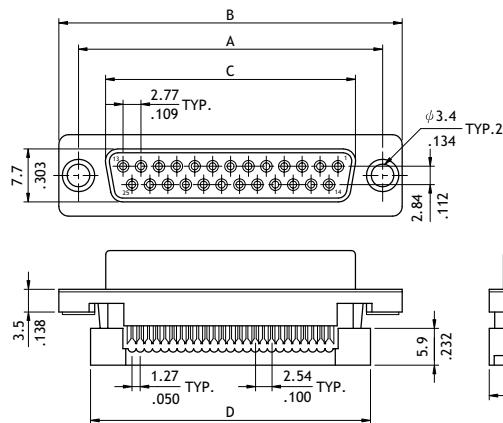
Plug Connector

Circuits	Dimension				
	A	B	C	D	E
9	25.0(.984)	30.8(1.213)	16.92(.666)	22.4(.882)	12.08(.476)
15	33.3(1.311)	39.2(1.543)	25.25(.994)	30.8(1.213)	19.7(.776)
25	47.1(1.854)	53.1(2.091)	38.96(1.534)	44.5(1.752)	32.4(1.276)
37	63.5(2.500)	69.4(2.732)	55.42(2.182)	61.4(2.417)	47.72(1.879)



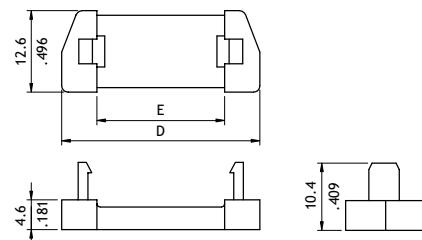
Strain relief

P/N CD91**SA***



Receptacle Connector

Circuits	Dimension				
	A	B	C	D	E
9	25.0(.984)	30.8(1.213)	16.3(.642)	22.4(.882)	12.08(.476)
15	33.3(1.311)	39.2(1.543)	24.6(.969)	30.8(1.213)	19.7(.776)
25	47.1(1.854)	53.1(2.091)	38.3(1.508)	44.5(1.752)	32.4(1.276)
37	63.5(2.500)	69.4(2.732)	54.8(2.157)	61.4(2.417)	47.72(1.879)



Strain relief

Ordering Code

1 **CD91** **25** **P** **A** **1** **S0**

- 1** Series No.
- 2** No. of Circuits: 9,15,25,37
- 3** Connector Type: P = Plug
S = Receptacle
- 4** Plating Code: A = Selective Gold Flash over Nickel
*Optional plating available but MOQ requested
- 5** Insulator Color: 1 = Black
7 = Blue
- 6** Other Options:
S0 = Metal shell with $\phi 3.4$ mm holes with S/R (Standard)
S1 = Metal shell #4-40 UNC insert nuts with S/R
*Special options consult manufacturer