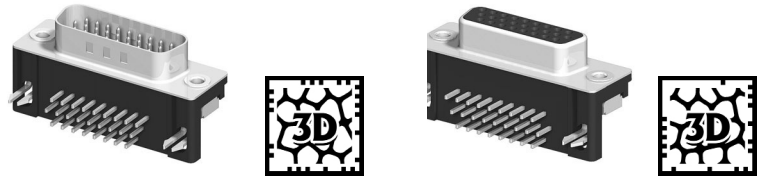
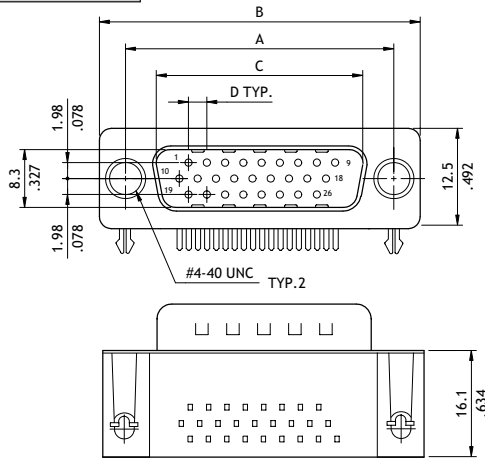


# CD05 Series High Density Right Angle DIP Solder D-Sub

- Mate with standard D-Sub
- With metal shell and solder tails
- Riveted ground hooks or tab options

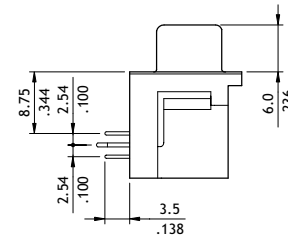


P/N CD05\*\*P\*1\*\*

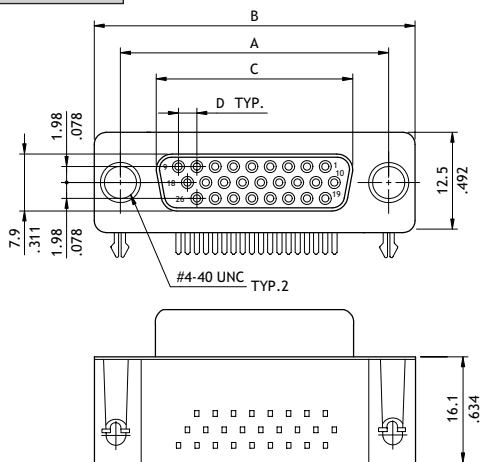


Plug Connector

Circuits	Dimension			
	A	B	C	D
15	25.0(.984)	30.8(1.213)	16.92(.666)	2.29(.090)
26	33.32(1.312)	39.2(1.543)	25.25(.994)	2.29(.090)
44	47.04(1.852)	53.1(2.091)	38.96(1.534)	2.29(.090)
62	63.5(2.500)	69.4(2.732)	55.42(2.182)	2.41(.095)

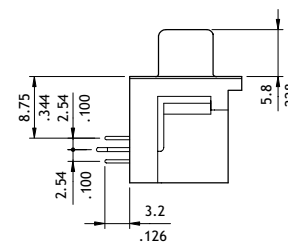


P/N CD05\*\*S\*1\*\*



Receptacle connector

Circuits	Dimension			
	A	B	C	D
15	25.0(.984)	30.8(1.213)	16.3(.642)	2.29(.090)
26	33.32(1.312)	39.2(1.543)	24.6(.969)	2.29(.090)
44	47.04(1.852)	53.1(2.091)	38.3(1.508)	2.29(.090)
62	63.5(2.500)	69.4(2.732)	54.8(2.157)	2.41(.095)



## Ordering Code

**1** **CD05**    **2** **15**    **3** **P**    **4** **2**    **5** **1**    **6** **F0**

- 1** Series No.
- 2** No. of Circuits: 15, 26, 44, 62
- 3** Connector Type: P = Plug, S = Receptacle
- 4** Plating Option: 2 = Gold flash over Nickel  
A = Selective Gold flash over Nickel  
\*Optional plating available but MOQ requested
- 5** Insulator Color: 1 = Black  
\*Optional insulator color consult manufacturer
- 6** Other Options:  
F0 = Riveted ground hooks with #4-40 UNC Open (Standard)  
I0 = Riveted ground tabs thread #4-40 UNC Open and ground tabs with  $\phi$  3.2mm holes  
J0 = Assmely ground hooks by #4-40 UNC Hex screws  
G0 = Riveted ground hooks pre-loaded #4-40 UNC Hex screws  
\*Special options consult manufacturer