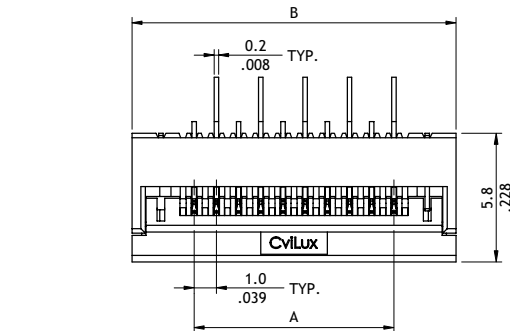
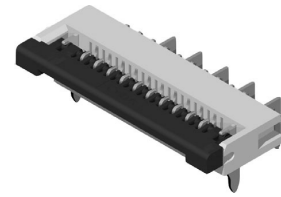
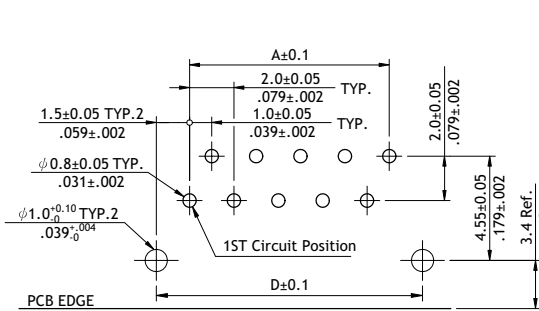
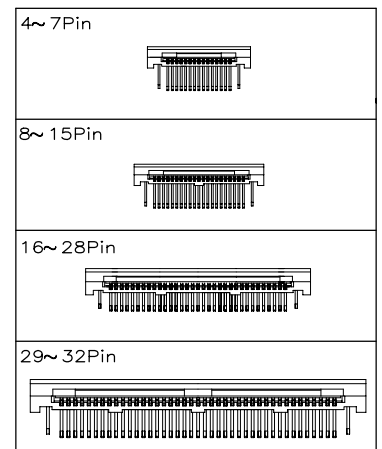
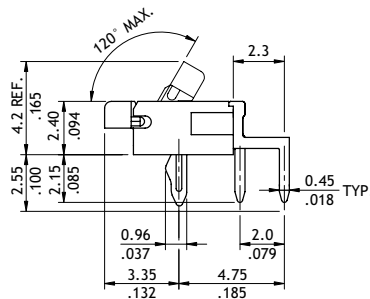
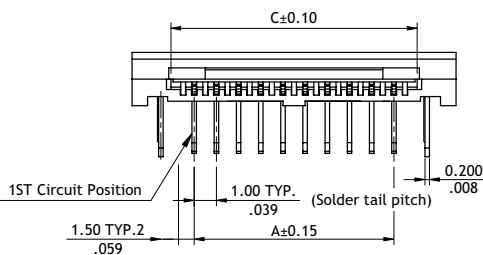


CF25 Series 1.00mm(.039")H=2.40 DIP ZIF One-Touch FFC/FPC Connectors

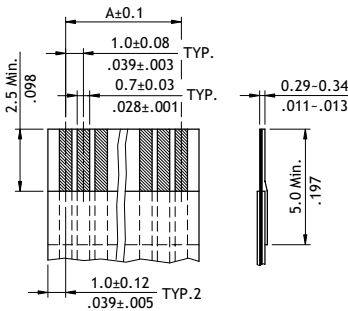
- 2.4mm above the board
- FFC/FPC zero insertion force and high retention force
- Insulator: High temperature plastic UL 94V-0, Color Nature
- Cover: High temperature plastic UL 94V-0, Color Black
- With metal Pegs



A = 1.0 x No. of Spaces
 B = A + 5.6
 C = A + 2.1
 D = A + 3.0



Recommended P.C. Board Layout



Accommodated FFC/FPC

Ordering Code

① CF **②** 25 **③** 32 **④** 1 **⑤** H **⑥** 0 **⑦** T 0 - **⑧** 10 - **⑨** NH

- ①** Series No.
- ②** No. of Circuits: 04 to 32
Circuits not found above please consult manufacturer
- ③** Plating Code:
1 = Matte Tin over Nickel
2 = Gold flash over Nickel
- ④** Contact Style:
H = Right Angle DIP Type (Downside Contact)
- ⑤** Color: 0 = Nature
- ⑥** Packing:
T = Tube
- ⑦** Other Options: 0 = Standard
*Special option consult manufacturer
- ⑧** Pitch: 10 = 1.00 mm
- ⑨** -NH = For Lead Free soldering process and Halogen-Free
*Empty code 9, if requesting non Halogen-Free material