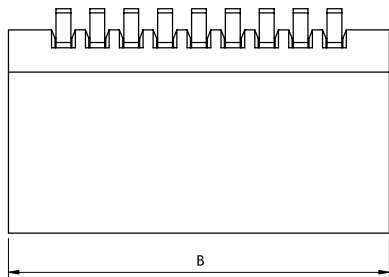
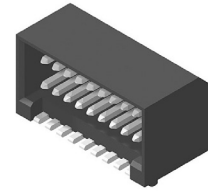
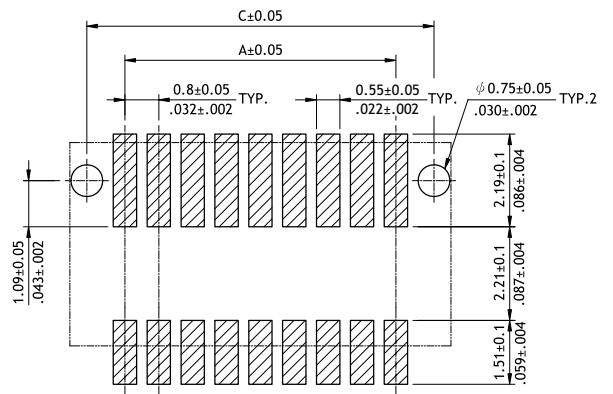


CHC3 Series 0.80mm(.032") Dual Row SMT Pin Headers

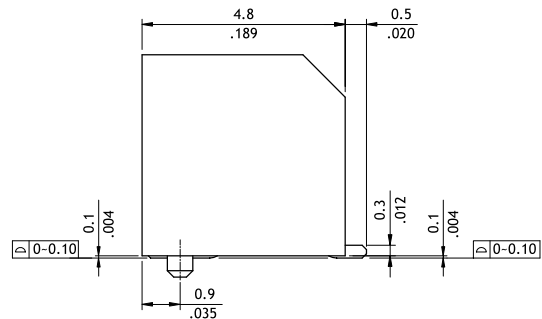
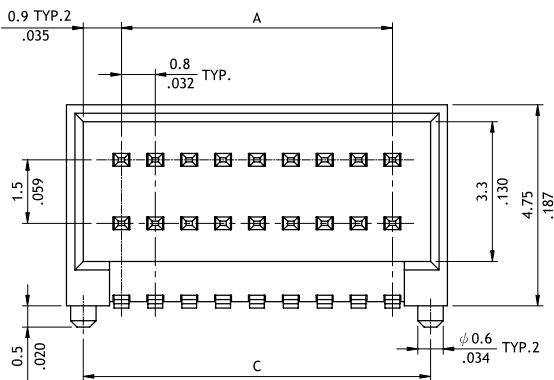
- Mate with CBC3 Series
- SMT Tail
- With mounting Pegs
- High temperature plastic, Color Black



A = 0.8 x No. of Spaces
 B = A + 2.6
 C = A + 1.8



Recommended P.C. Board Layout



Ordering Code

1 CHC3 **2** 36 **3** 2 **4** M **5** 1 **6** R **7** 0

- 1** Series No.
- 2** No. of Circuits: 06 to 36
- 3** Plating Code:
 1 = Tin over Nickel
 2 = Gold flash over Nickel
- 4** Tail & Mounting Style: M = SMT Type
- 5** Color: 1 = Black
- 6** Packing Options:
 R = Tape & Reel
 T = Tube
- 7** Other Options:
 0 = Standard
 *Special options consult manufacturer