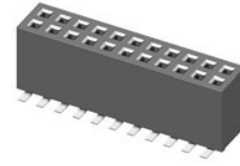
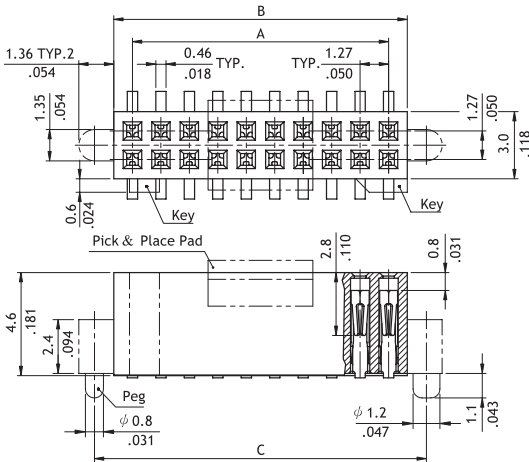


# CBC1 Series 1.27mm(.050") Dual Row Female Headers

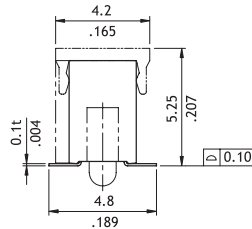
- Mates with CH51, CH52, CH53, CH57 and CHC2 series
- Pick and Place Pad available
- High performance contact design
- With PCB Pegs options



P/N CBC1\*\*2M1\*0-1\*-NH

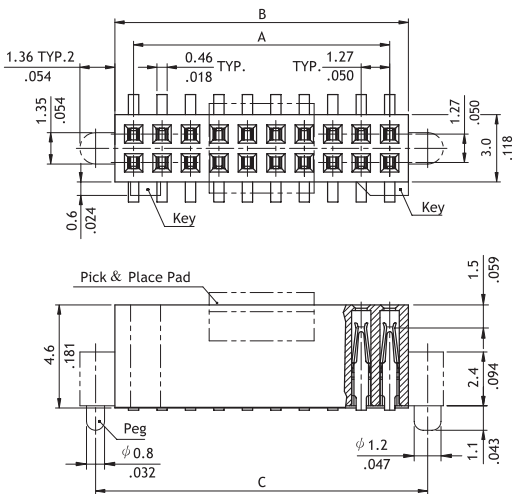


A = 1.27 X No. of Spaces  
 B = A + 1.67  
 C = A + 3.05

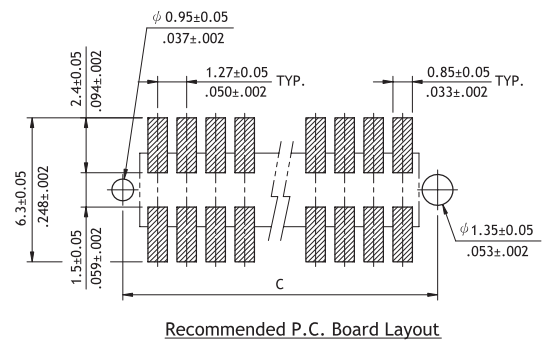
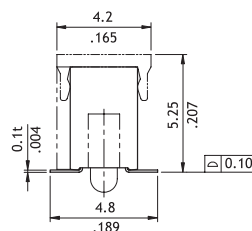


Without Key and Peg ; Without Pick & Place Pad	
With Key and Pegs ; Without Pick & Place Pad	
Without Key ; With Pegs ; Without Pick & Place Pad	
Without Key and Peg ; With Pick & Place Pad	
With Key and Pegs ; With Pick & Place Pad	
Without Key ; With Pegs ; With Pick & Place Pad	

P/N CBC1\*\*2M1\*0-2\*-NH



A = 1.27 X No. of Spaces  
 B = A + 1.67  
 C = A + 3.05



## Ordering Code

**1** **2** **3** **4** **5** **6** **7** **8** **9** **10**  
**CBC1 602 M 100 - 2 P - NH**

- 1** Series No.
- 2** No. of Circuits:  
With Keys: 10 to 60  
Without Keys: 06 to 60
- 3** Plating Code:  
2 = Gold flash over Nickel
- 4** Tail Style: M = SMT Type
- 5** Color: 1 = Black
- 6** Other Options:  
0 = Without Key and Peg  
1 = With Keys and Pegs  
2 = Without Key and With Pegs
- 7** Other Options:  
0 = Standard
- 8** Mating Header Pin Size:  
1 = 0.46mm Round Pin  
2 = 0.40mm Square Pin
- 9** Pad Options:  
0 = Without Pick & Place Pad (Tube)  
P = With Picks & Place Pad ( Tape & Reel)
- 10** -NH = For Lead Free process and Halogen-Free