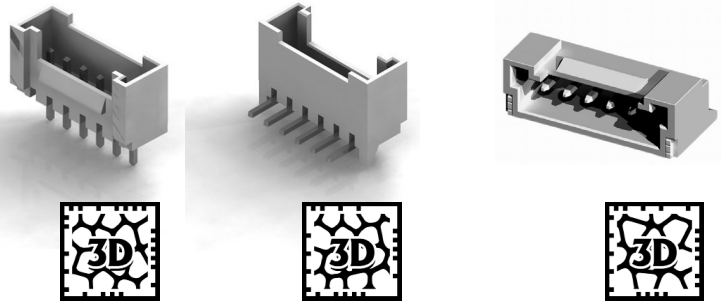
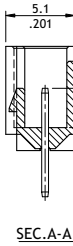
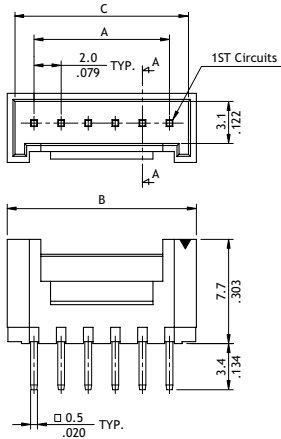


**CI06 Series 2.00mm(.079") Wire to Board Connectors DIP & SMT Headers**

- With locks provide secure mating
- Mate with CI06 Housing
- Insulator: Polyamide UL 94V-0, Color Nature
- With Tin plated 0.5mm square pin

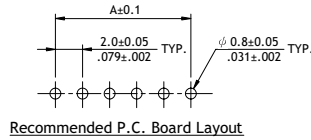
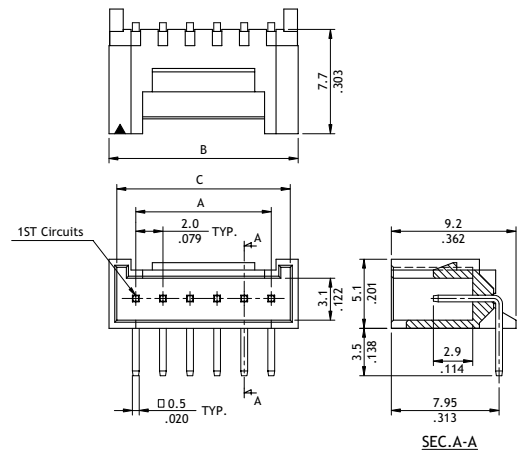


**Straight DIP**

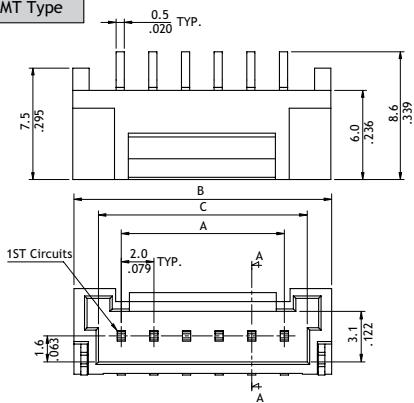


| Circuits | Dimension   |              |             |
|----------|-------------|--------------|-------------|
|          | A           | B            | C           |
| 2        | 2.0(.079)   | 5.96(.235)   | 4.8(.189)   |
| 3        | 4.0(.157)   | 7.96(.313)   | 6.8(.268)   |
| 4        | 6.0(.236)   | 9.96(.392)   | 8.8(.346)   |
| 5        | 8.0(.315)   | 11.96(.471)  | 10.8(.425)  |
| 6        | 10.0(.394)  | 13.96(.550)  | 12.8(.504)  |
| 7        | 12.0(.472)  | 15.96(.628)  | 14.8(.583)  |
| 8        | 14.0(.551)  | 17.96(.707)  | 16.8(.661)  |
| 9        | 16.0(.630)  | 19.96(.786)  | 18.8(.740)  |
| 10       | 18.0(.709)  | 21.96(.865)  | 20.8(.819)  |
| 11       | 20.0(.787)  | 23.96(.943)  | 22.8(.898)  |
| 12       | 22.0(.866)  | 25.96(1.022) | 24.8(.976)  |
| 13       | 24.0(.945)  | 27.96(1.101) | 26.8(1.055) |
| 14       | 26.0(1.024) | 29.96(1.180) | 28.8(1.134) |
| 15       | 28.0(1.102) | 31.96(1.258) | 30.8(1.213) |
| 16       | 30.0(1.181) | 33.96(1.337) | 32.8(1.291) |

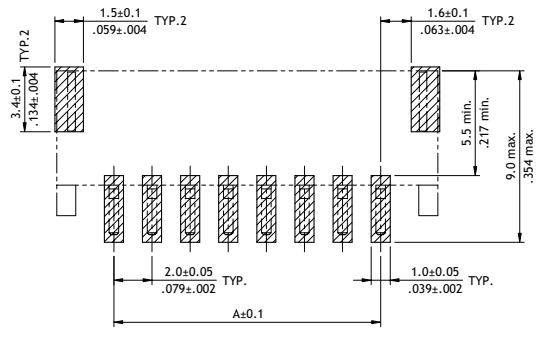
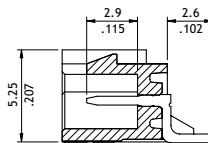
**Right Angle DIP**



**SMT Type**



A = 2.0 x No. of Spaces  
 B = A + 5.8  
 C = A + 2.8



**Ordering Code**

1
2
3
4
5
6
7
1
2
3
4
5
6
7
8

- |   |  |
|---|--|
| <p><b>CI0616P1V00-NH</b></p> <ul style="list-style-type: none"> <li>① Series No.</li> <li>② No. of Circuits: 02 to 16</li> <li>③ P = DIP Type</li> <li>④ Plating Code: 1 = Matte Tin over Nickel</li> <li>⑤ Type: V = Straight ; H = Right Angle</li> <li>⑥ Other Options: 00 = Standard</li> <li>⑦ -LF = For Lead Free soldering process<br/>-NH = For Lead Free soldering process and Halogen-Free</li> </ul> | <p><b>CI0615M1HR0-NH</b></p> <ul style="list-style-type: none"> <li>① Series No.</li> <li>② No. of Circuits: 02 to 15</li> <li>③ M = SMT Type</li> <li>④ Plating Code: 1= Matte Tin over Nickel</li> <li>⑤ Type: H = Side Entry</li> <li>⑥ Packing: R = Tape &amp; Reel ; T = Tube</li> <li>⑦ Other Options: 0 = Standard</li> <li>⑧ -LF = For Lead Free soldering process<br/>-NH = For Lead Free soldering process and Halogen-Free</li> </ul> |
|---|--|