

Ordering Code:

CU07 24 S * H D F
 ① ② ③ ④ ⑤ ⑥ ⑦

- ① Series No.
- ② Contacts: 24= 24+Key
- ③ Contact type: S= Socket
- ④ Plating code:
 A= Selective Gold flash plated over 1.27μm(50μ") Nickel
 B= Selective 0.38μm(15μ") Gold plated over 1.27μm(50μ") Nickel
 C= Selective 0.76μm(30μ") Gold plated over 1.27μm(50μ") Nickel
- ⑤ Tail style: H= Right angle
- ⑥ Product type: D= Digital Type
- ⑦ Option: F= #4-40 UNC Threaded insert

Lead Free Process

RoHS Compliant

④	Enya	11/15-13'	ECNT113120/ECRT113037		DATE	UNIT: mm / inch	TITLE: DVI R/A RECEP. CONN. (INTEGRATED TYPE 24+4+1)	
③	Sandy	11/27/06	ECN06421		DRAWN BY: Enya	11/15-13'	TOLERANCE UNLESS OTHERWISE SPECIFIED	MATERIAL:
②	Sun	9/30/05'	ECR05067-0/ECN05275		ENGINEER: Sun	11/18-13'	.X ± 0.30/.012 X' ± 1"	
①	JASON	04/27-04	ECN04171, ECR04038-0		CHECKED BY: Eisley	11/18-13'	.XX ± 0.20/.008 .X' ±	
SYM	NAME	DATE	REVISIONS		APPROVED BY: Eisley	11/18-13'	.XXX ± 0.13/.005 .XX' ±	FINISH:



瀚荃股份有限公司
 CviLux Corporation

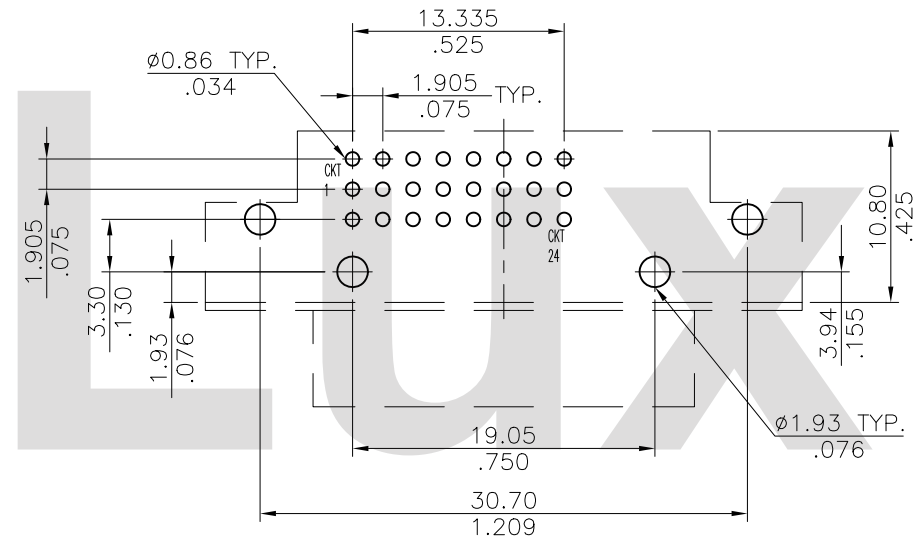
DRAWING NO.	CU0712SE	PART NO.	CU0724S*HDF
SCALE	2 / 1	SHEET	1 OF 2

NOTES: * Materials:

- Housing: PBT, UL 94V-0, Color: Ivory.
- Bracket: PA66, UL 94V-0, Color: Ivory.
- Terminal: Copper Alloy.
Gold Plated over Nickel at Contact Area.
Tin Plated over Nickel at Solder Area.
- Shell: Zinc Alloy with Nickel Plated.
- Boardlock: Steel with Tin Plated.
- Rivet: Copper Alloy with Nickel Plated.

* For Lead Free wave flow process.

CviLUX



Recommended P.C Board Layout
Tolerance: ±0.05mm

Lead Free Process RoHS Compliant

4	Enya	11/15-13'	ECNT113120/ECRT113037	<div style="border: 2px solid red; border-radius: 50%; padding: 5px; display: inline-block;"> CVILUX CORP 2013.11.25 ISSUED </div>			DATE	UNIT: mm / inch	TITLE: DVI R/A RECEPT. CONN. (INTEGRATED TYPE 24+4+1) MATERIAL: FINISH:	瀚荃股份有限公司 CviLux Corporation			
	Sandy	11/27/06'	ECN06421		DRAWN BY:	Enya	11/15-13'	TOLERANCE UNLESS OTHERWISE SPECIFIED					
	Sun	9/30/05'	ECR05067-0/ECN05275		ENGINEER:	Sun	11/18-13'	.X ± 0.30/.012			.X' ± 1"		
	JASON	04/27-04'	ECN04171, ECR04038-0		CHECKED BY:	Eisley	11/18-13'	.XX ± 0.20/.008			.X' ±		
SYM	NAME	DATE	REVISIONS	APPROVED BY:	Eisley	11/18-13'	.XXX ± 0.13/.005	.XX' ±	DRAWING NO.	CU0712SE	PART NO.	CU0724S*HDF	
										SCALE	2 / 1	SHEET	2 OF 2