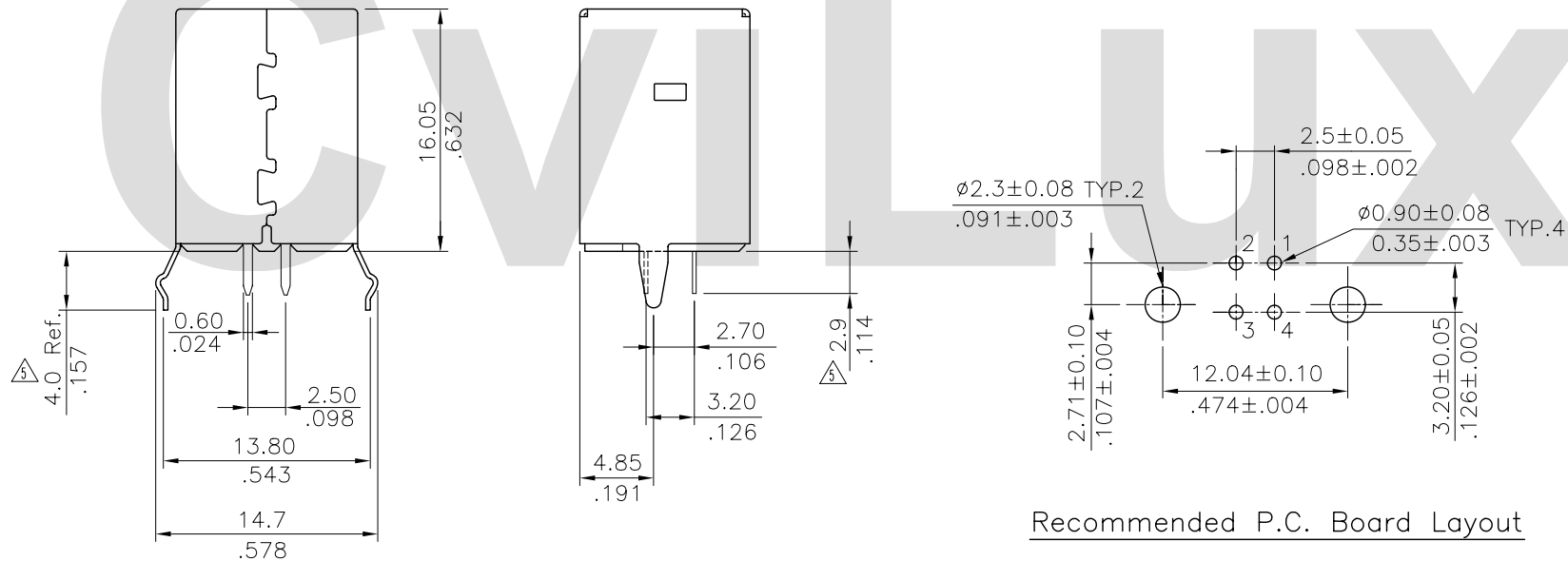
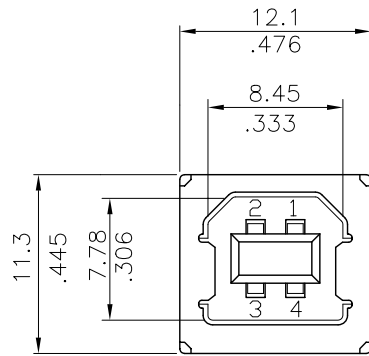


* Materials:
 Insulator: Glass filled polyester UL 94V-0
 Contact: Phosphor Bronze
 Shell: Brass
 Shell Plating: Steel With Nickel plated

Ordering Code:

CU02 S A V 1 000
 ① ② ③ ④ ⑤ ⑥

- ① Series No.
- ② S= Socket
- ③ Plating option:
 A= Selective Gold flash plated over 1.27μm(50μ") Nickel
 C= Selective 0.76μm(30μ") Gold plated over 1.27μm(50μ") Nickel
- ④ Type: V= Straight
- ⑤ Insulator Color: 1= Black, 0= White
- ⑥ Option: 000= Standard



Recommended P.C. Board Layout

Lead Free Process
 RoHS Compliant

⑤	Sun	11/26-07	ECR07090-1/ECN07486		DATE	UNIT: mm / inch	TITLE: USB TYPE-B STRAIGHT RECEPTACLE CONNECTOR	瀚荃股份有限公司 CviLux Corporation		
④	Sandy	3/23-07	ECN07109		DRAWN BY: Sun	11/27-07'	TOLERANCE UNLESS OTHERWISE SPECIFIED		MATERIAL:	
③	Sandy	1/5/06'	ECN06495/ECR06080-1		ENGINEER: Easley	11/28-07'	.X ± 0.30/.012 X' ± 1'			
②	Jim	8/22/06'	ECR06070-0/ECN06293		CHECKED BY: David	11/28-07'	.XX ± 0.20/.008 .X' ±	FINISH:	DRAWING NO. CU0205SH	PART NO. CU02S*V*000
SYM	NAME	DATE	REVISIONS		APPROVED BY: David	11/28-07'	.XXX ± 0.10/.004 .XX' ±		SCALE 2 / 1	SHEET 1 OF 1