

Ordering Code:

CP05 02 P * M L 0 -NH
 ① ② ③ ④ ⑤ ⑥ ⑦ ⑧

- ① Series No.
- ② Circuits: 02
- ③ P= Pin Header
- ④ Plating Code:
 1= Matte Tin plated over Nickel
 2= Gold flash plated over Nickel
- ⑤ Contact type: M= SMT Type

Material:

Insulator: Nylon 6T+30%GF. UL 94V-0

Color Nature

Contact: Brass

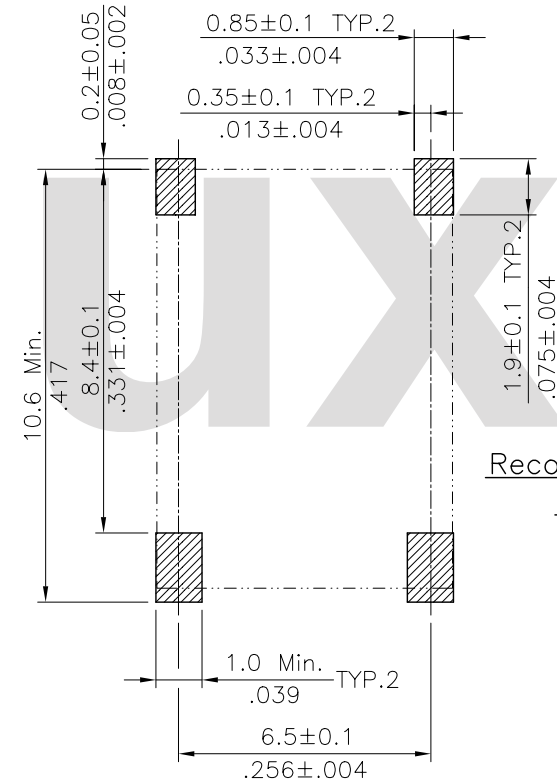
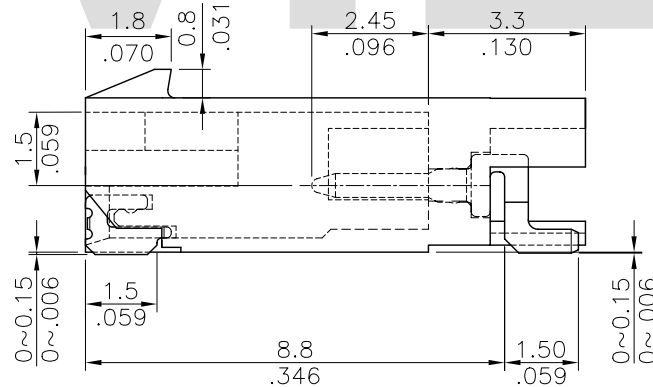
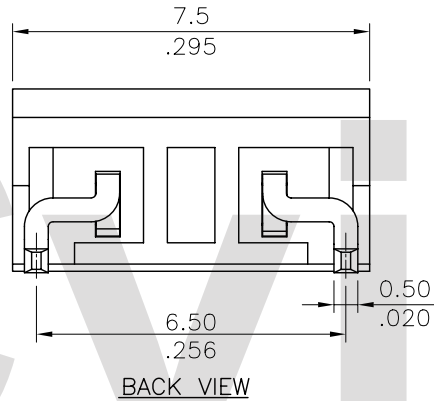
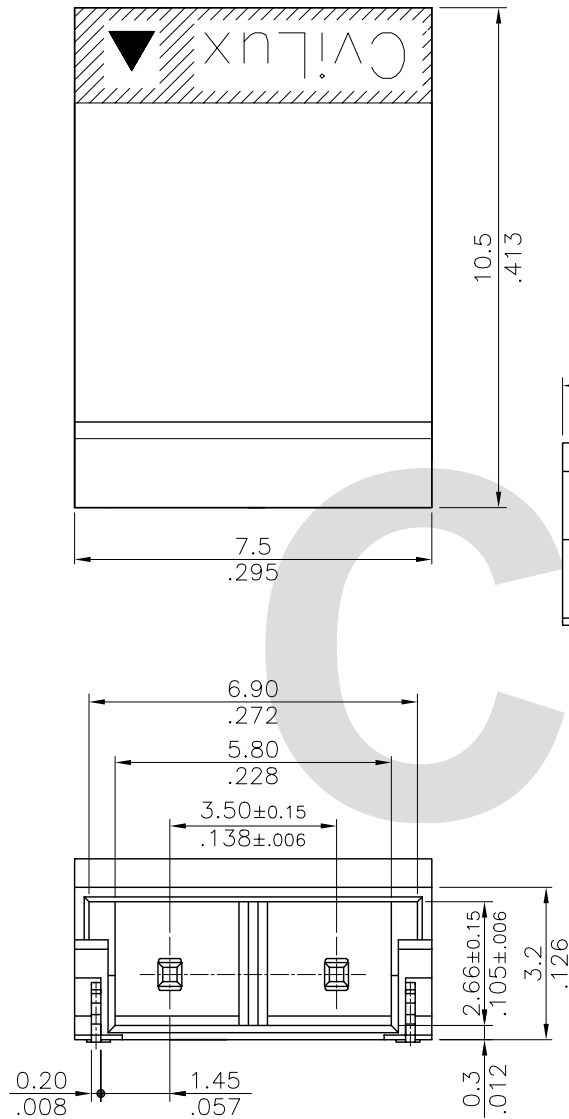
Fixed Tab: Brass

Plating:

Contact: See ordering code

Fixed Tab: Matte Tin plated over Nickel

- ⑥ Latch option: L=Latch Type
- ⑦ Option opter: 0=stanard
- ⑧ -NH= For Lead Free IR Processes and Halogen-Free





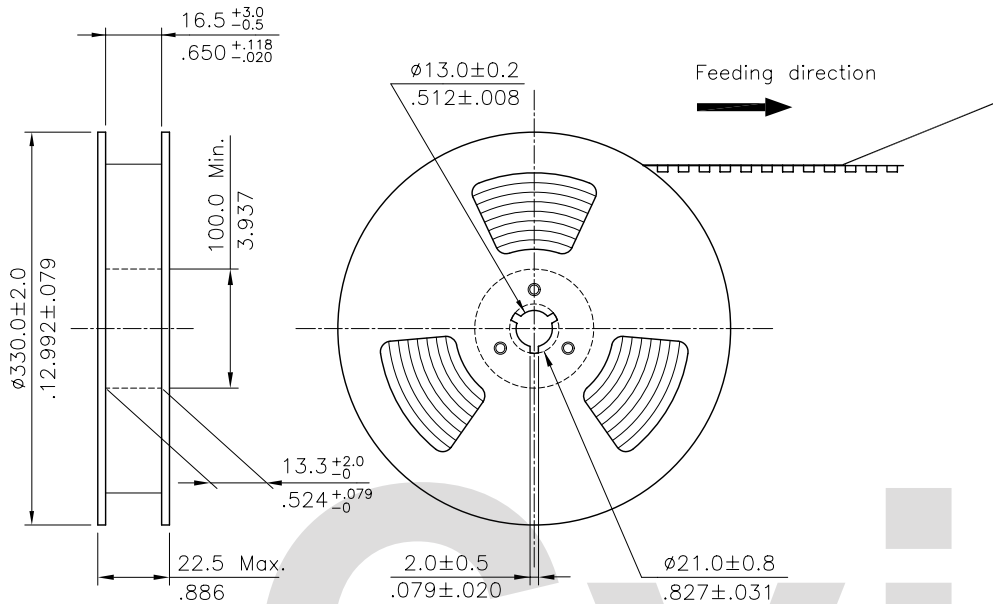
Recommended P.C.
Board Layout

Halogen-Free

Lead Free Process

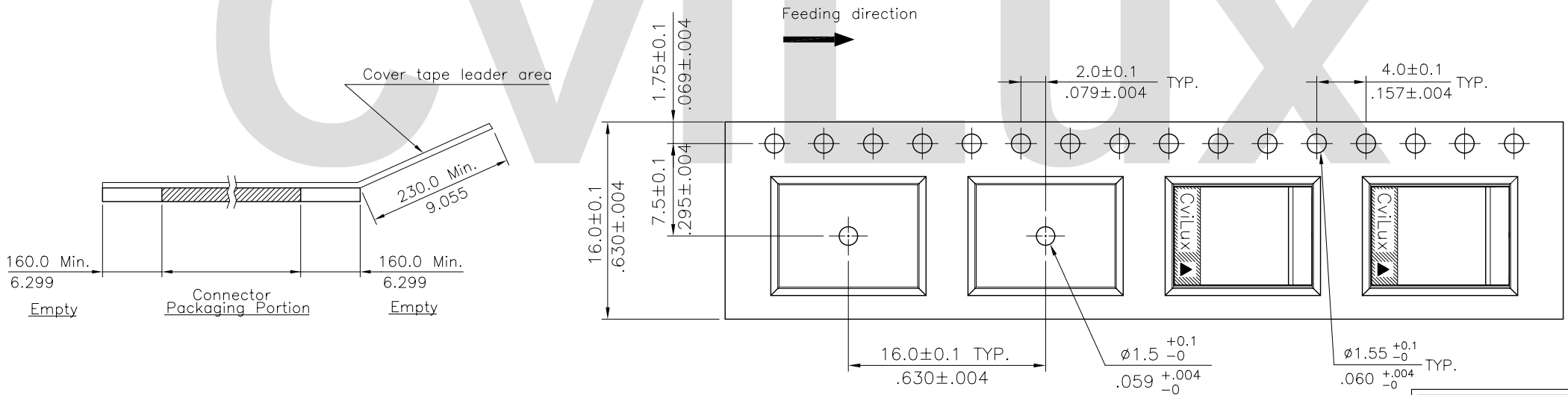
RoHS Compliant

④				 CVILUX CORP. 2008.01.02 ISSUED		DATE	UNIT: mm / inch	TITLE: 3.5mm PITCH WIRE TO BOARD CONNECTOR With Latch Type	 瀚荃股份有限公司 CviLux Corporation
③					DRAWN BY: Eager	12/25-07'	TOLERANCE UNLESS OTHERWISE SPECIFIED	MATERIAL:	
②					ENGINEER: Eisley	12/26-07'	.X ± 0.30/.012 X' ± r'	FINISH:	
①					CHECKED BY: Alex	12/26-07'	.XX ± 0.20/.008 .X' ±	DRAWING NO. CP0531SA	
SYM	NAME	DATE	REVISIONS		APPROVED BY: Alex	12/26-07'	.XXX ± 0.10/.004 .XX' ±	PART NO. CP0502P*ML0-NH	
								SCALE	5 / 1
								SHEET	1 OF 2



NOTE :

- * Reel Material : HIPS
- * Carrier Material : Color Limpidity, Transparent Polystyrene Alloy
- * Cover Tape Material : Polyester
- * Cover Tape Peel Strength : 0.1N – 1.3N
- * Carrier camber is within 1mm in 100mm
- * All dimensions meet EIA-481-B requirements.
- * Quantity : 900 PCS/Reel



RoHS Compliant

4						DATE	UNIT: mm / inch	TITLE: 3.5mm PITCH WIRE TO BOARD CONNECTOR With Latch Type	瀚荃股份有限公司 CviLux Corporation	DRAWING NO.	CP0531SA	PART NO.	CP0502P*ML0-NH		
3			DRAWN BY:		Eager	12/25-07'	TOLERANCE UNLESS OTHERWISE SPECIFIED	MATERIAL:		SCALE		SHEET	2	OF	2
2			ENGINEER:		Eisley	12/26-07'	.X ±	.X' ± 1'		FINISH:					
1			CHECKED BY:		Alex	12/26-07'	.XX ±	.X' ±							
SYM	NAME	DATE	REVISIONS		APPROVED BY:	Alex	12/26-07'	.XXX ±	.XX' ±						