

PIN CODE	Dimension		
	A	B	C
2B	8.0(.315)	14.0(.551)	10.5(.413)
2C	12.0(.472)	18.0(.709)	14.5(.571)
2D	16.0(.630)	22.0(.866)	18.5(.728)
2E	13.0(.512)	19.0(.748)	15.5(.610)

Material:

Insulator: Nylon 6T + 30% G.F UL 94V-0
Color Nature(Ivory)

Contact: Brass

Tab: Brass

Ordering Code:

CP04 2 B P 1 M B 0 - L F
① ② ③ ④ ⑤ ⑥ ⑦ ⑧ ⑨

- ① Series No.
- ② Circuits : 2 Pin
- ③ Circuits pitch:
B= 8.0mm, C= 12.0mm,
D= 16.0mm, E=13.0mm
- ④ P= Pin Header
- ⑤ Plating Code:
1= Matte Tin plated over Nickel
- ⑥ Contact type: M= SMT Type
- ⑦ B= Lock Type B
- ⑧ Other option: 0= Standard(Reel Packing)
- ⑨ LF = For Lead Free soldering process

Lead Free Process

RoHS Compliant

Sold Pad Pattern

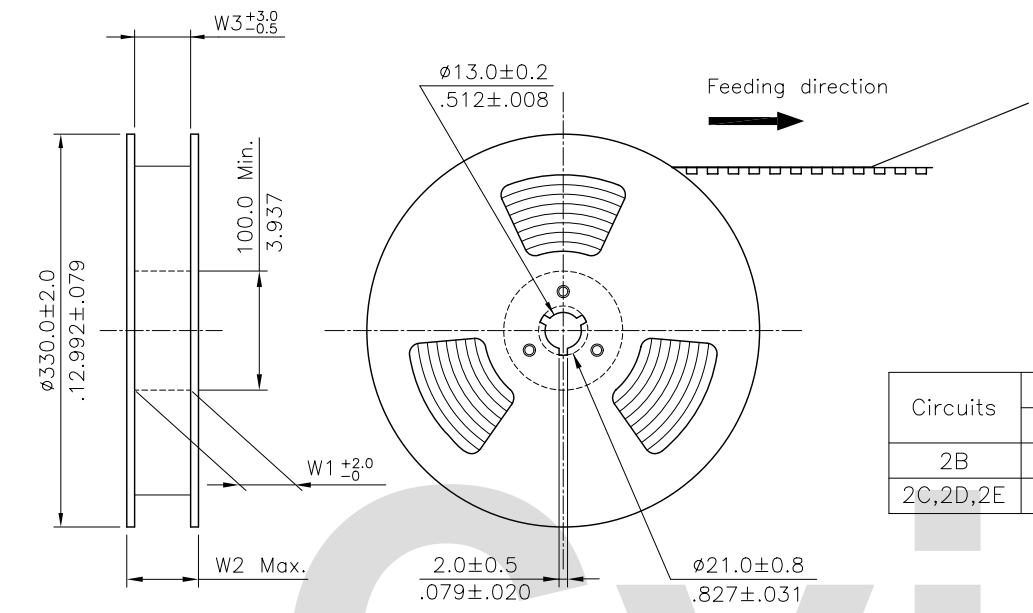


SYM	NAME	DATE	REVISIONS	APPROVED BY:	DATE	UNIT: mm / inch	TITLE: 8.0/12.0/13.0/16.0mm PITCH WIRE TO BOARD CONNECTOR (LOCK TYPE B)	DRAWING NO.	SCALE	PART NO.	SHEET	OF
4												
3												
2												
1	Sandy	4/29-07	ECN07153									
				DRAWN BY:	Sandy	4/29-07'	TOLERANCE UNLESS OTHERWISE SPECIFIED .X ± 0.30/.012 X' ± r' .XX ± 0.20/.008 .X' ± .XXX ± 0.10/.004 .XX' ±					
				ENGINEER:	Eisley	5/04-07'						
				CHECKED BY:	David	5/04-07'						
				APPROVED BY:	Alex	5/04-07'						



瀚荃股份有限公司
CviLux Corporation

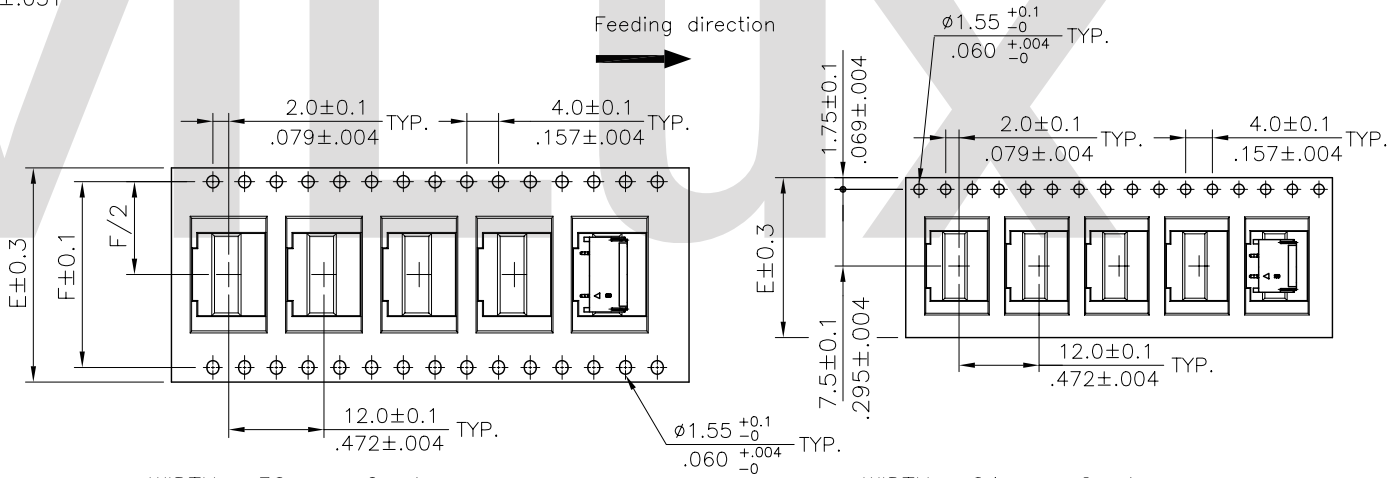
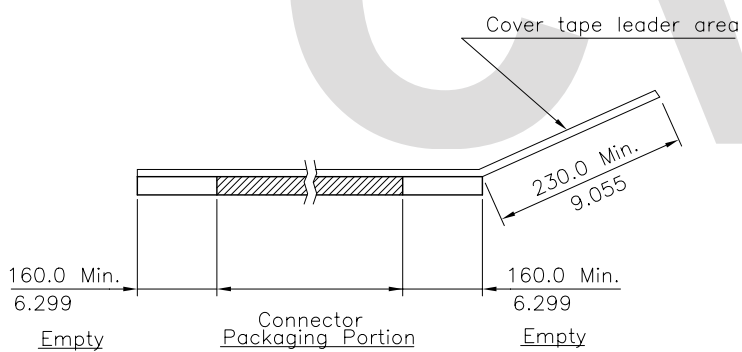
DRAWING NO.	CP0430SB	PART NO.	CP042*P*MB0-LF
SCALE	4 / 1	SHEET	1 OF 2



NOTE :

- * Reel Material : HIPS
- * Carrier Material : Clear, Conductive Polystyrene Alloy
- * Cover Tape Material : Polyester
- * Cover Tape Peel Strength : 0.1N – 1.3N
- * Carrier camber is within 1mm in 100mm
- * All dimensions meet EIA-481-B requirements.
- * Quantity : 1000 PCS/Reel

Circuits	Dimension					Packing (Reel/Caton)
	E	F	W1	W2	W3	
2B	24.0(.945)	-	24.5(.965)	30.5(1.200)	24.5(.965)	9
2C,2D,2E	32.0(1.260)	28.40(1.118)	32.5(1.280)	38.5(1.516)	32.5(1.280)	7



WIDTH : 32 mm Carrier

WIDTH : 24 mm Carrier

RoHS Compliant

4					DATE	UNIT: mm / inch	TITLE: 8.0/12.0/13.0/16.0mm PITCH WIRE TO BOARD CONNECTOR (LOCK TYPE B)	瀚荃股份有限公司 CviLux Corporation		
3					DRAWN BY: Sandy	TOLERANCE UNLESS OTHERWISE SPECIFIED	MATERIAL:			DRAWING NO. CP0430SB
2					ENGINEER: Eisley	.X ±	X' ± 1'	FINISH:	SCALE	SHEET 2 OF 2
1	Sandy	4/29-07'	ECN07153	CHECKED BY: David	5/04-07'	.XX ±	.X' ±			
SYM	NAME	DATE	REVISIONS	APPROVED BY: Alex	5/04-07'	.XXX ±	.XX' ±			

CVILUX CORP.
 2007.05.22
 ISSUED