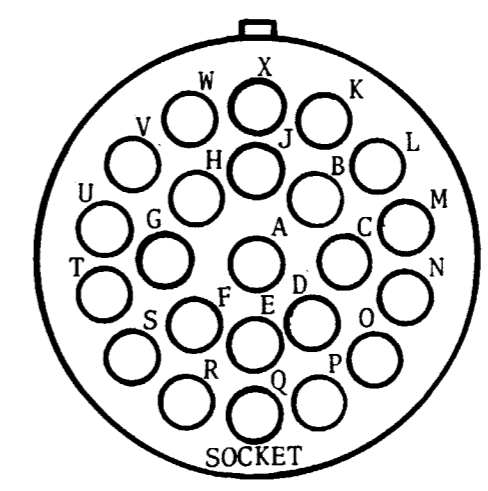
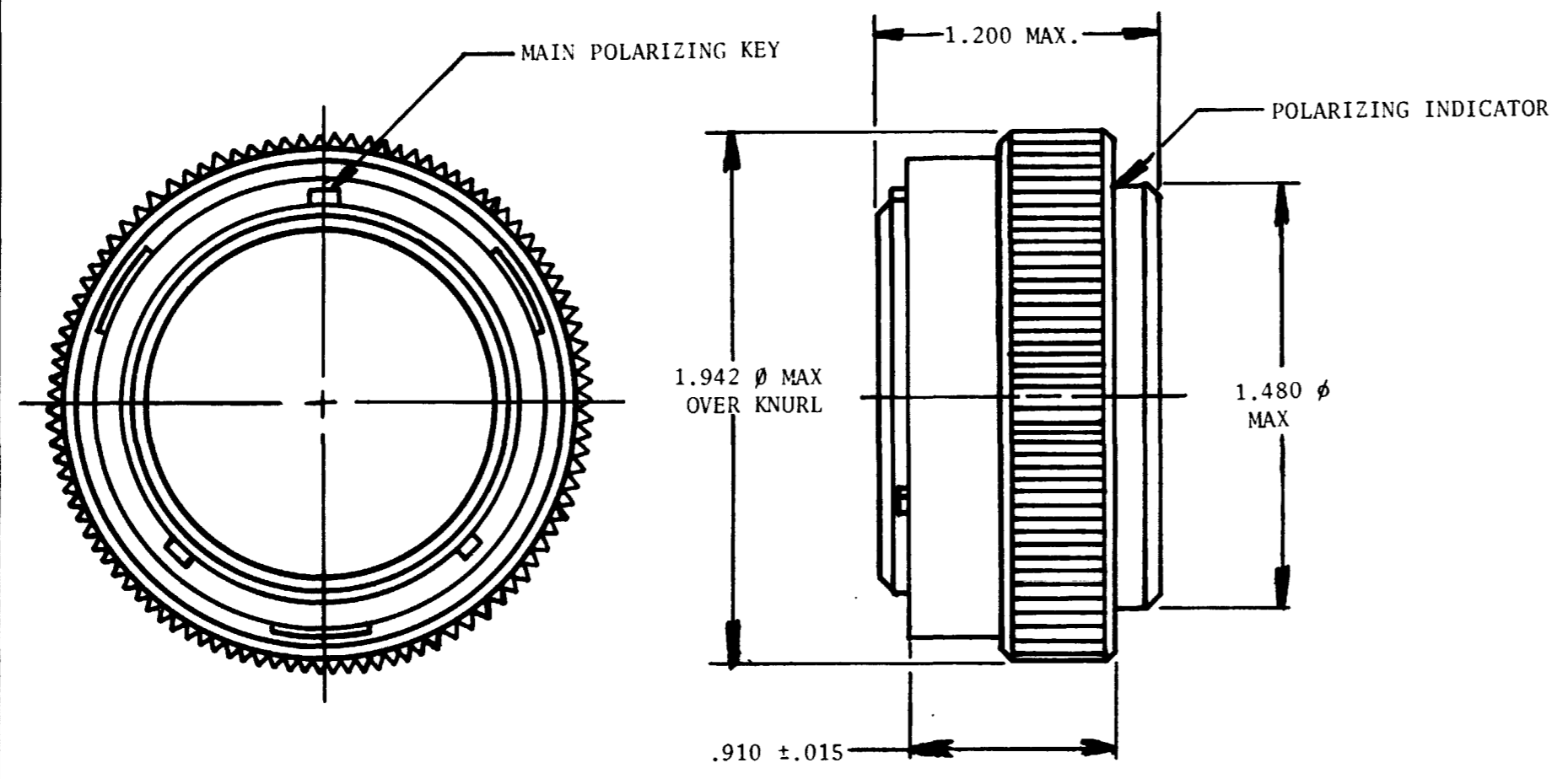


HDN36-24-23SN-C003

REVISIONS			
SYM	DESCRIPTION	DATE	APPROVED
N/C	NEW RELEASE PER E.O. A 1388	2-28-84	<i>[Signature]</i>



SOCKETS

CABLE END VIEW OF CONNECTOR WITH INSERTS

- NOTE:**
1. PERTINENT INFORMATION:
POWER CONTACTS: SKT 0462-201-16141
 2. CONSULT FACTORY FOR ELECTRICAL AND MATERIAL SPECIFICATION.
 3. THIS CONNECTOR SERIES WILL ACCOMODATE THE FOLLOWING WIRE:
 4. DIMENSIONS ARE IN INCHES UNLESS OTHERWISE SPECIFIED.
 5. CONSULT FACTORY FOR AVAILABILITY.

CONTACT SIZE	WIRE GAUGE RANGE
16	16 & 18

SIGNATURE & DATE		PLUG CONNECTOR BAYONET COUPLING REAR INSERTION & REMOVAL NON-ENVIRONMENTAL (ENVELOPE)	CP	MATL CODE
DR	<i>[Signature]</i> 2-28-84		The Deutsch Company FIBER OPTICS DIVISION 7001 W. Imperial Highway Los Angeles, CA 90045	
CHK			B	HDN36-24-23SN-C003
PE	<i>[Signature]</i> 3-2-84			DWG SIZE
APPD			SCALE	NONE