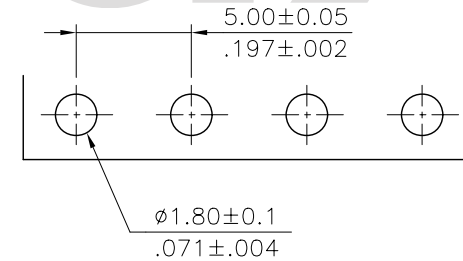
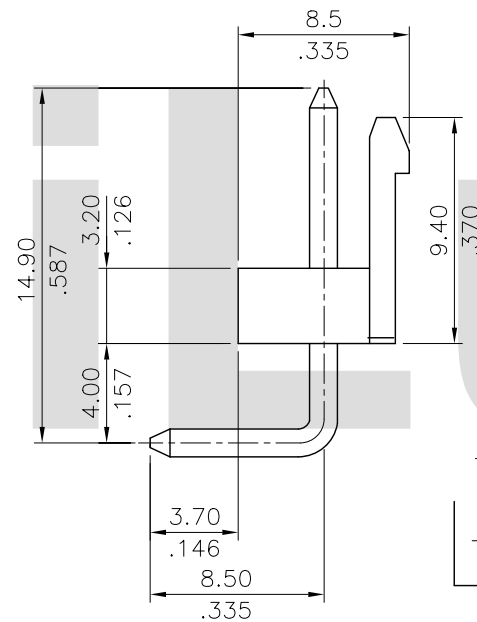
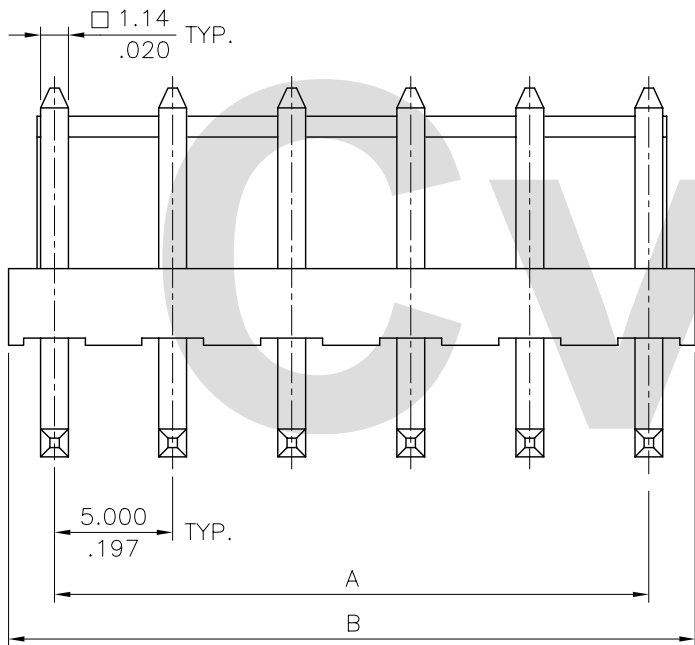


Material:

* Insulation: Nylon 66 UL 94V-0
Color Nature

* Contact: Brass

Circuits	Dimension	
	A	B
2	5.00(.197)	9.9(.390)
3	10.00(.394)	14.9(.587)
4	15.00(.591)	19.9(.783)
5	20.00(.787)	24.9(.980)
6	25.00(.984)	29.9(1.177)
7	30.00(1.181)	34.9(1.374)
8	35.00(1.378)	39.9(1.571)
9	40.00(1.575)	44.9(1.768)
10	45.00(1.772)	49.9(1.965)
11	50.00(1.969)	54.9(2.161)
12	55.00(2.165)	59.9(2.358)



Recommended P.C. Board Layout

RoHS Compliant

4						DATE	UNIT: mm / inch	TITLE: 5.00MM(.197") RIGHT ANGLE HEADERS	 瀚荃股份有限公司 CviLux Corporation	
3			DRAWN BY: Sandy		08/13-96'	TOLERANCE UNLESS OTHERWISE SPECIFIED		MATERIAL:		DRAWING NO. CI7502SA
2			ENGINEER: David		08/13-96'	.X ± 0.38 / .015	.X' ± 1'			
1			CHECKED BY: Alex		08/14-96'	.XX ± 0.25 / .010	.X' ±	SCALE 3 / 1	SHEET 1 OF 1	
SYM	NAME	DATE	REVISIONS		APPROVED BY: Alex	08/14-96'	.XXX ± 0.15 / .006			.XX' ±