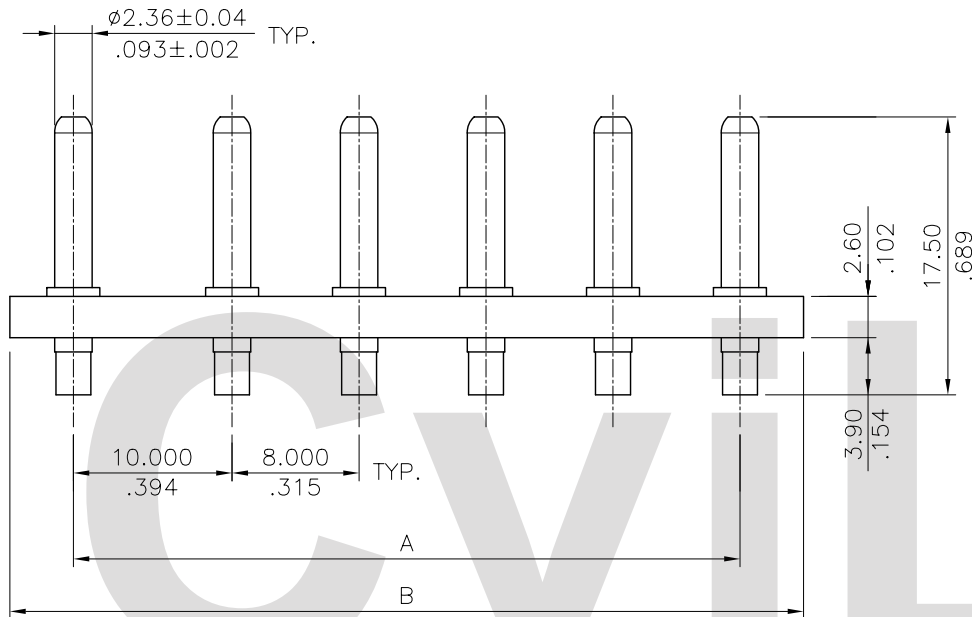


Material:

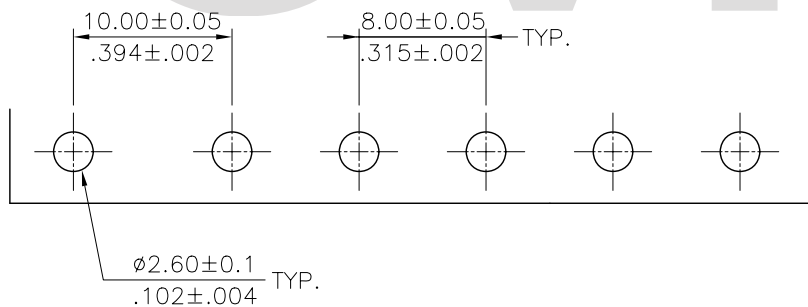
- * Insulation: Nylon 66 UL 94V-0
- * Contact: Brass with Tin plated



Ordering Code:

CI62 ** P 1 V 0 0
 ① ② ③ ④ ⑤ ⑥ ⑦


- ① Series No.
- ② NO. of Circuits: 02 to 06
- ③ P= Pin header
- ④ 1= 2.03μm(80μ") Min. Tin
over 0.76μm(30μ") Nickel
- ⑤ V= Straight
- ⑥ Option: 0= Color Nature(Standard)
1= Color Black
9= Color Gray
- ⑦ Option: 0= Standard



Circuits	Dimension	
	A	B
2	10.00(.394)	18.0(.709)
3	18.00(.709)	26.0(1.024)
4	26.00(1.024)	34.0(1.339)
5	34.00(1.339)	42.0(1.654)
6	42.00(1.654)	50.0(1.969)

Recommended P.C. Board Layout

RoHS Compliant

4						UNIT: mm / inch	TITLE: 10.0-8.0mm(.394"-.315") STRAIGHT HEADERS	 瀚荃股份有限公司 CviLux Corporation
3						TOLERANCE UNLESS OTHERWISE SPECIFIED	MATERIAL:	
2						.X ± 0.38/.015 X' ± r'	FINISH:	DRAWING NO. CI6202SG PART NO. CI62**P1V*0
1	SUN	5/18/04'	ECN04200			.XX ± 0.25/.010 .X' ±		SCALE 2 / 1
SYM	NAME	DATE	REVISIONS	APPROVED BY:	Alex	.XXX ± 0.15/.006 .XX' ±		

CVILUX.CORP
 2004.05.28
 ISSUED

DATE: 05/27-04'
 DRAWN BY: Sun
 ENGINEER: Eisley
 CHECKED BY: Alex
 APPROVED BY: Alex