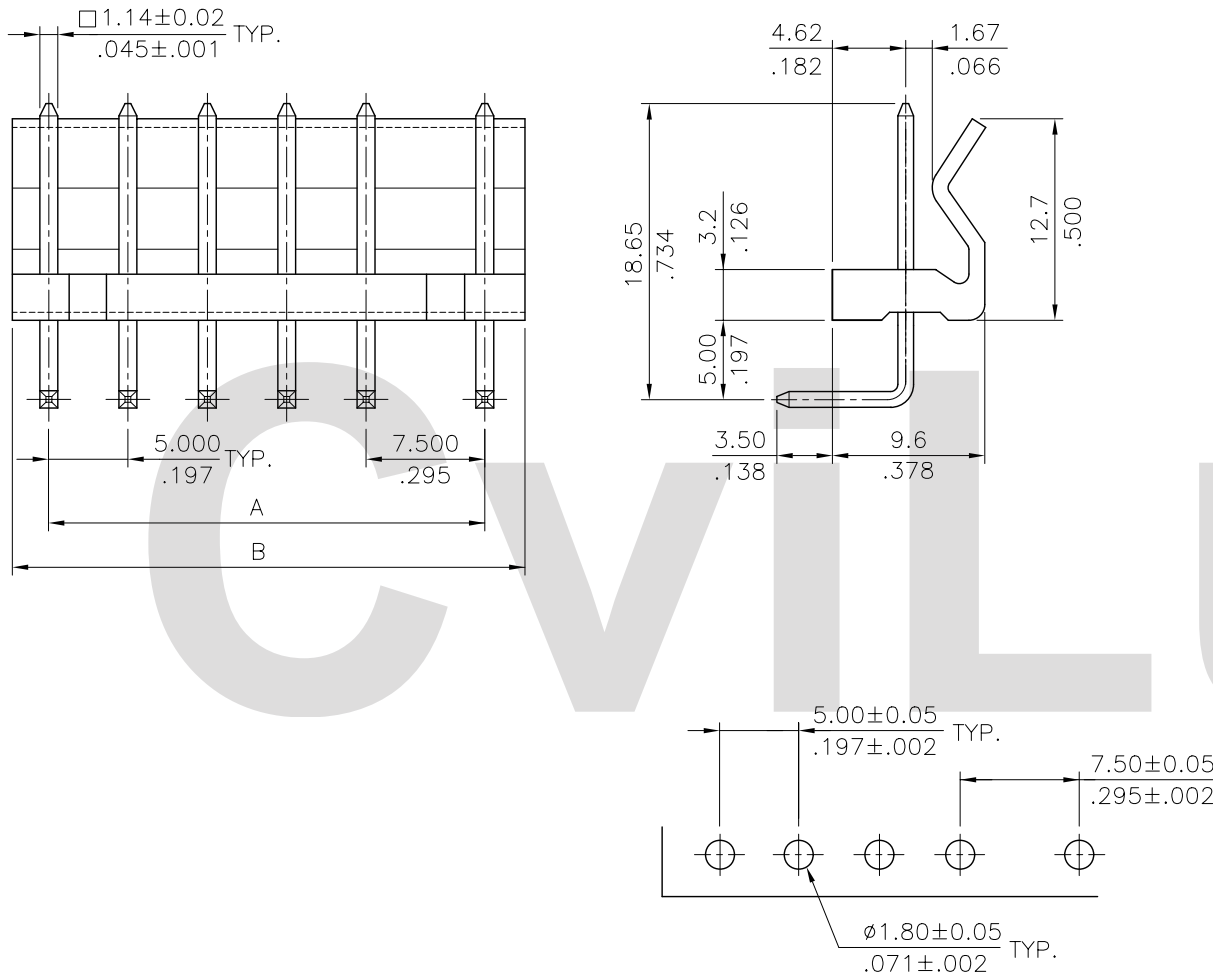


Material:

* Insulation: Nylon 66 UL 94V-2

Color Nature

* Contact: Brass



Circuits	Dimension	
	A	B
2	7.50(.295)	12.5(.492)
3	12.50(.492)	17.5(.689)
4	17.50(.689)	22.5(.886)
5	22.50(.886)	27.5(1.083)
6	27.50(1.083)	32.5(1.280)
7	32.50(1.280)	37.5(1.476)
8	37.50(1.476)	42.5(1.673)
9	42.50(1.673)	47.5(1.870)
10	47.50(1.870)	52.5(2.067)

Ordering Code:

CI56 ** P 1 H 00
 ① ② ③ ④ ⑤ ⑥

- ① Series No.
- ② No. of Circuits: 02~10
- ③ Contact type: P= Pin header
- ④ Plating option:
 1= 3.05μm(120μ") Min. Tin
 over 0.76μm(30μ") Nickel
- ⑤ Tail Style: H= Right angle
- ⑥ Option: 00= Standard

Recommended P.C. Board Layout

RoHS Compliant

						DATE	UNIT: mm / inch	TITLE: 7.50-5.00MM (.295"-1.97") RIGHT ANGLE PIN HEADER	瀚荃股份有限公司 CviLux Corporation
					DRAWN BY: Eager	10/03-07'	TOLERANCE UNLESS OTHERWISE SPECIFIED	MATERIAL:	
					ENGINEER: Clark	10/05-07'	.X ± 0.38/.015 X: ± 1'	FINISH:	
					CHECKED BY: Eisley	10/05-07'	.XX ± 0.25/.010 .X: ±	DRAWING NO. CI5603SF PART NO. CI56**P1H00	
SYM	NAME	DATE	REVISIONS	APPROVED BY: David	10/05-07'	.XXX ± 0.15/.006 .XX: ±	SCALE 2 / 1 SHEET 1 OF 1		