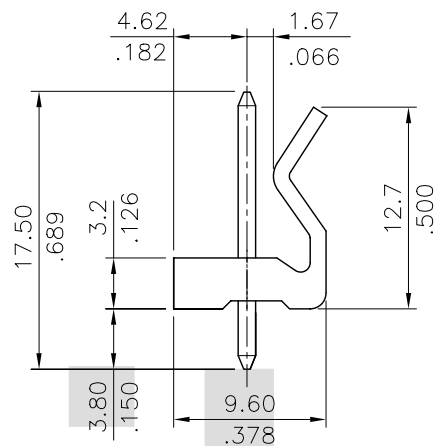
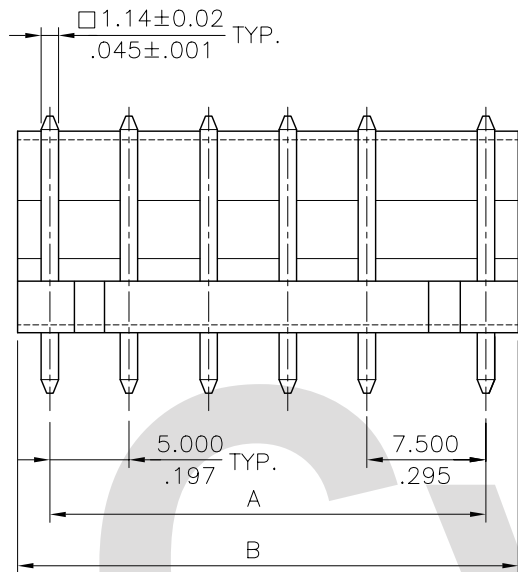


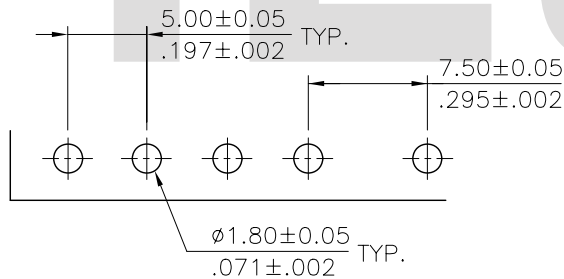
Material:

* Insulation: Nylon 66 UL 94V-2
Color Nature

* Contact: Brass



Circuits	Dimension	
	A	B
2	7.50(.295)	12.5(.492)
3	12.50(.492)	17.5(.689)
4	17.50(.689)	22.5(.886)
5	22.50(.886)	27.5(1.083)
6	27.50(1.083)	32.5(1.280)
7	32.50(1.280)	37.5(1.476)
8	37.50(1.476)	42.5(1.673)
9	42.50(1.673)	47.5(1.870)
10	47.50(1.870)	52.5(2.067)




Recommended P.C. Board Layout

Ordering Code:

CI56 ** P 1 V 00
① ② ③ ④ ⑤ ⑥

- ① Series No.
- ② No. of Circuits: 02~10
- ③ Contact type: P= Pin header
- ④ Plating option:
1= 3.05 μ m(120 μ) Min. Tin
over 0.76 μ m(30 μ) Nickel
- ⑤ Tail Style: V= Straight
- ⑥ Option: 00= Standard

RoHS Compliant

SYM	NAME	DATE	REVISIONS	APPROVED BY:	DATE	UNIT: mm / inch	TITLE: 7.50-5.00MM (.295"-1.97") STRAIGHT PIN HEADER	 瀚荃股份有限公司 CviLux Corporation			
4								DRAWING NO. CI5602SF	PART NO. CI56**P1V00	SCALE 2 / 1	SHEET 1 OF 1
3											
2											
1	Eager	10/03-07'	ECN07410								

CVILUX CORP.
2007.10.09
ISSUED

DRAWN BY: Eager
ENGINEER: Clark
CHECKED BY: Eisley
APPROVED BY: David

DATE: 10/03-07'
10/05-07'
10/05-07'
10/05-07'

UNIT: mm / inch
TOLERANCE UNLESS OTHERWISE SPECIFIED
.X \pm 0.38/.015 X' \pm 1"
.XX \pm 0.25/.010 .X' \pm
.XXX \pm 0.15/.006 .XX' \pm

MATERIAL:
FINISH: