

Material:

* Insulation: Nylon 66 UL 94V-2

Color Nature

* Contact: Brass

Ordering Code:

CI55 ** P 1 V 0M
 ① ② ③ ④ ⑤ ⑥

① Series No.

② No. of Circuits

③ Contact type: P= Pin header

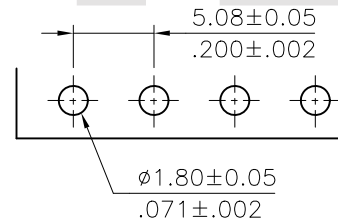
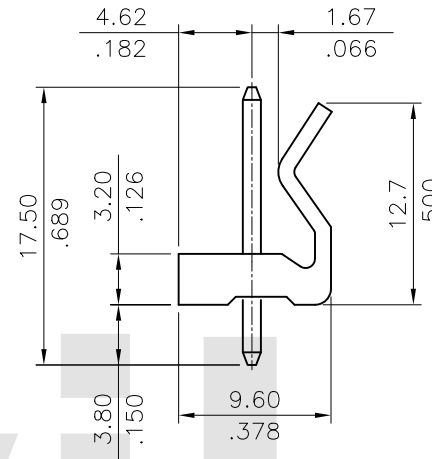
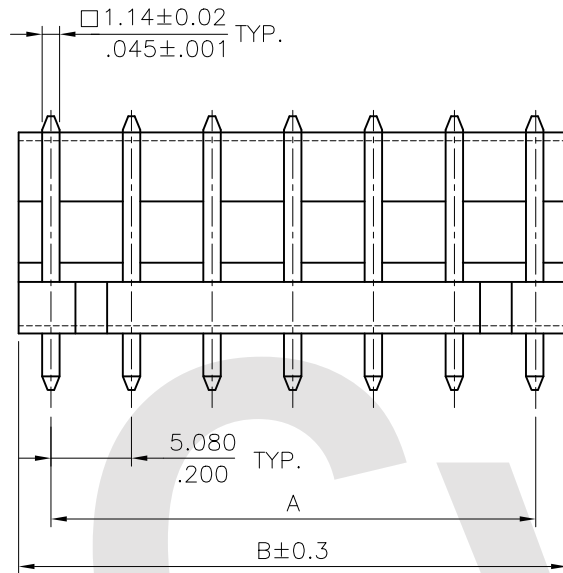
④ Plating option:

1 = 3.05 μ m(120 μ) Min. Tin
 over 0.76 μ m(30 μ) Nickel

⑤ Tail Style: V= Straight

⑥ Other option: 0M= Standard

(Glow wire available)



Recommended P.C. Board Layout

Circuits	Dimension	
	A	B \triangle
2	5.08(.200)	10.08(.397)
3	10.16(.400)	15.16(.597)
4	15.24(.600)	20.24(.797)
5	20.32(.800)	25.32(.997)
6	25.40(1.00)	30.40(1.197)
7	30.48(1.20)	35.48(1.397)
8	35.56(1.40)	40.56(1.597)
9	40.64(1.60)	45.64(1.797)
10	45.72(1.80)	50.72(1.997)

Tin-Lead Process

RoHS Compliant



瀚荃股份有限公司
CviLux Corporation

CVILUX CORP
2016.04.29
ISSUED

\triangle 4					DATE	UNIT: mm / inch	TITLE: 5.08mm (.200") STRAIGHT HEADER	DRAWING NO. CI5515SB	PART NO. CI55**P1VOM
\triangle 3				DRAWN BY: Sun	4/21-16'	TOLERANCE UNLESS OTHERWISE SPECIFIED	MATERIAL:		
\triangle 2				ENGINEER: Sun	4/21-16'	.X \pm 0.38 / .015	.X' \pm 1'	SCALE 2 / 1	SHEET 1 OF 1
\triangle 1	Sun	4/21-16'	ECRH116017/ECNT116083	CHECKED BY: Eisley	4/22-16'	.XX \pm 0.25 / .010	.X' \pm		
SYM	NAME	DATE	REVISIONS	APPROVED BY: Eisley	4/22-16'	.XXX \pm 0.15 / .006	.XX' \pm		