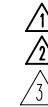
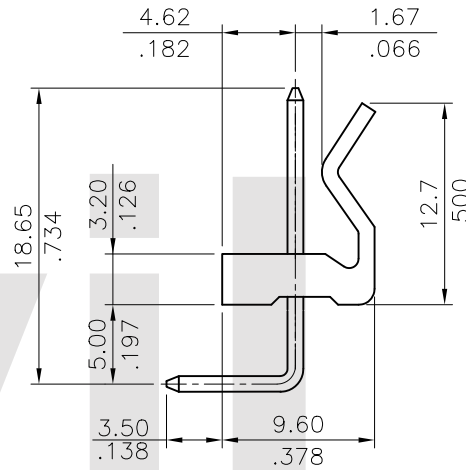
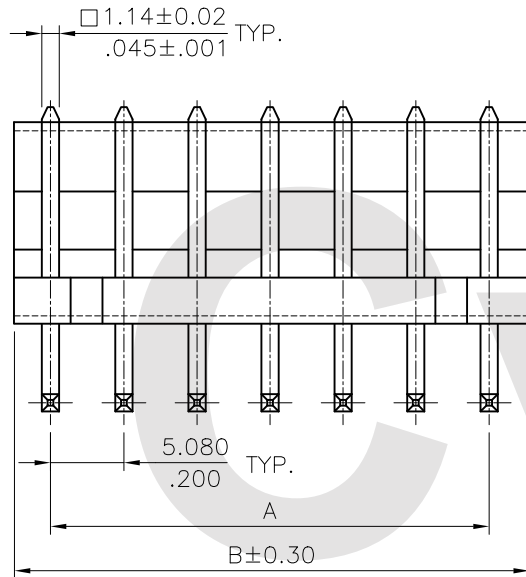


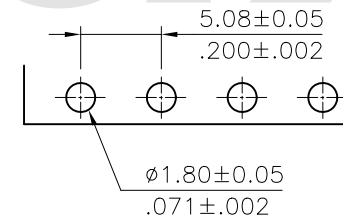
Material:

* Insulation: Nylon 66 UL 94V-2
Color Nature

* Contact: Brass



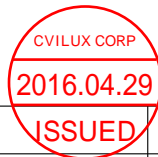
Circuits	Dimension	
	A	B ^④
2	5.08(.200)	10.08(.397)
3	10.16(.400)	15.16(.597)
4	15.24(.600)	20.24(.797)
5	20.32(.800)	25.32(.997)
6	25.40(1.00)	30.40(1.197)
7	30.48(1.20)	35.48(1.397)
8	35.56(1.40)	40.56(1.597)
9	40.64(1.60)	45.64(1.797)
10	45.72(1.80)	50.72(1.997)




Recommended P.C. Board Layout

Tin-Lead Process

RoHS Compliant



④	Sun	4/21-16'	ECRH116017/ECNT116083	DRAWN BY: Sun ENGINEER: Sun CHECKED BY: Eisley APPROVED BY: Eisley	DATE	UNIT: mm / inch	TITLE: 5.08mm (.200") RIGHT ANGLE HEADER	 瀚荃股份有限公司 CviLux Corporation	
③	Eager	6/20/06'	ECN06193		4/21-06'	TOLERANCE UNLESS OTHERWISE SPECIFIED	MATERIAL:		
②	Casey	3/9/05'	ECN05067/ECR05015-0		4/21-16'	.X ± 0.38 / .015 .X' ± 1"	FINISH:		
①	SUN	12/11/03'	ECN03463/ECR03064-0		4/22-16'	.XX ± 0.25 / .010 .X' ±			
SYM	NAME	DATE	REVISIONS		4/22-16'	.XXX ± 0.15 / .006 .XX' ±	DRAWING NO. CI5503SE		PART NO. CI55**P1H00
								SCALE 2 / 1	SHEET 1 OF 1