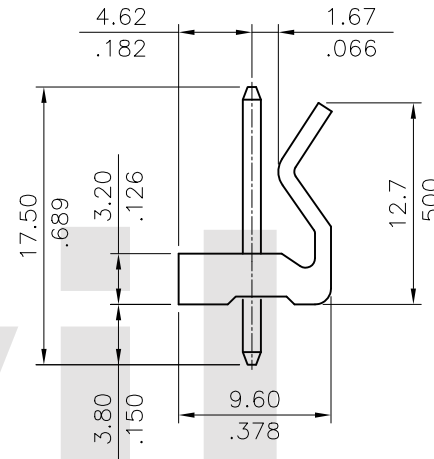
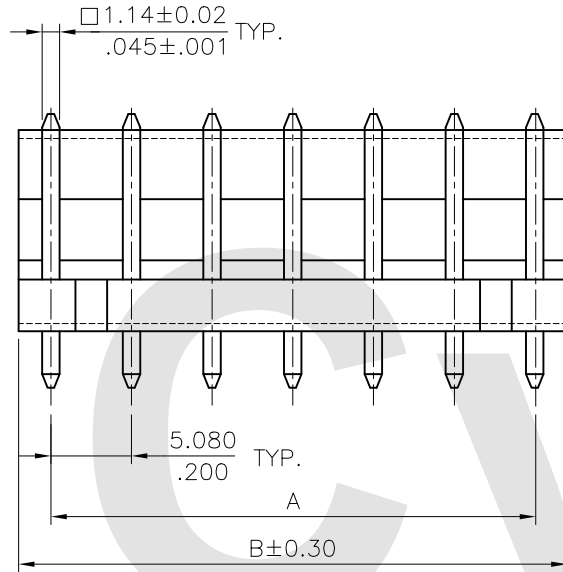


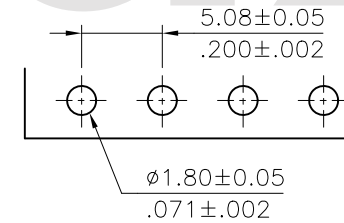
Material:

\* Insulation: Nylon 66 UL 94V-2  
Color Nature

\* Contact: Brass



Circuits	Dimension	
	A	B $\triangle$
2	5.08(.200)	10.08(.397)
3	10.16(.400)	15.16(.597)
4	15.24(.600)	20.24(.797)
5	20.32(.800)	25.32(.997)
6	25.40(1.00)	30.40(1.197)
7	30.48(1.20)	35.48(1.397)
8	35.56(1.40)	40.56(1.597)
9	40.64(1.60)	45.64(1.797)
10	45.72(1.80)	50.72(1.997)



Recommended P.C. Board Layout

Tin-Lead Process

RoHS Compliant

CVILUX CORP  
 2016.04.29  
 ISSUED

REV	SYM	NAME	DATE	REVISIONS	APPROVED BY:	DATE	UNIT: mm / inch	TITLE: 5.08mm (.200") STRAIGHT HEADER	瀚荃股份有限公司 CviLux Corporation		
4							UNLESS OTHERWISE SPECIFIED	MATERIAL:			
3							.X ± 0.38 / .015    .X' ± 1"	FINISH:			
2	Sun	4/21-16'	ECRH116017/ECNT116083	ENGINEER:	Sun	4/21-16'	.XX ± 0.25 / .010    .X' ±				
1	Casey	3/9/05'	ECN05067/ECR05015-0	CHECKED BY:	Eisley	4/22-16'	.XXX ± 0.15 / .006    .XX' ±	DRAWING NO.	CI5502SC	PART NO.	CI55**P1V00
								SCALE	2 / 1	SHEET	1 OF 1