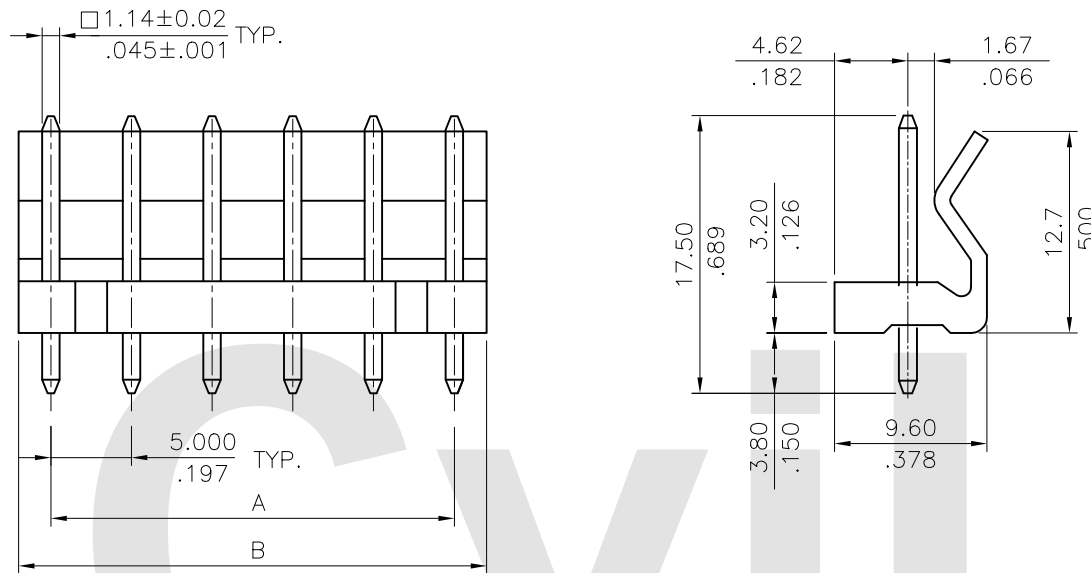


Material:

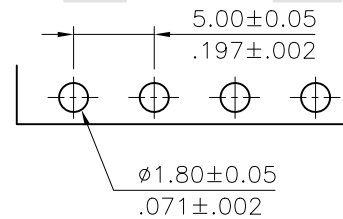
* Insulation: Nylon 66 UL 94V-2

Color Nature

* Contact: Brass



Circuits	Dimension	
	A	B \triangle
2	5.00(.197)	10.0(.394)
3	10.00(.394)	15.0(.591)
4	15.00(.591)	20.0(.787)
5	20.00(.787)	25.0(.984)
6	25.00(.984)	30.0(1.181)
7	30.00(1.181)	35.0(1.378)
8	35.00(1.378)	40.0(1.574)
9	40.00(1.574)	45.0(1.771)
10	45.00(1.771)	50.0(1.969)



Recommended P.C. Board Layout

Ordering Code:


CI54 06 P 1 V 00
① ② ③ ④ ⑤ ⑥

- ① Series No.
- ② No. of Circuits: 02 to 10
- ③ Contact type: P= Pin header
- ④ Plating option:
1= Tin Plated over Nickel
- ⑤ Tail Style: V= Straight
- ⑥ Other Option: 00= Standard

Tin-Lead Process

RoHS Compliant

CVILUX CORP
2016.04.28
ISSUED

$\triangle 4$					DATE	UNIT: mm / inch	TITLE: 5.00mm (.197") STRAIGHT HEADER	 瀚荃股份有限公司 CviLux Corporation	
$\triangle 3$				DRAWN BY: Sun	4/21-16'	TOLERANCE UNLESS OTHERWISE SPECIFIED	MATERIAL:		
$\triangle 2$	Sun	4/21-16'	ECRH116017/ECNT116083	ENGINEER: Sun	4/21-16'	.X ± 0.38 / .015 X' ± 1"	FINISH:	DRAWING NO. CI5402SD	PART NO. CI54**P1V00
$\triangle 1$	Casey	3/9/05'	ECN05067/ECR05015-0	CHECKED BY: Eisley	4/22-16'	.XX ± 0.25 / .010 .X' ±		SCALE 2 / 1	SHEET 1 OF 1
SYM	NAME	DATE	REVISIONS	APPROVED BY: Eisley	4/22-16'	.XXX ± 0.15 / .006 .XX' ±			