

Material:

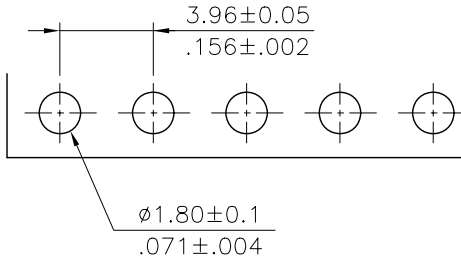
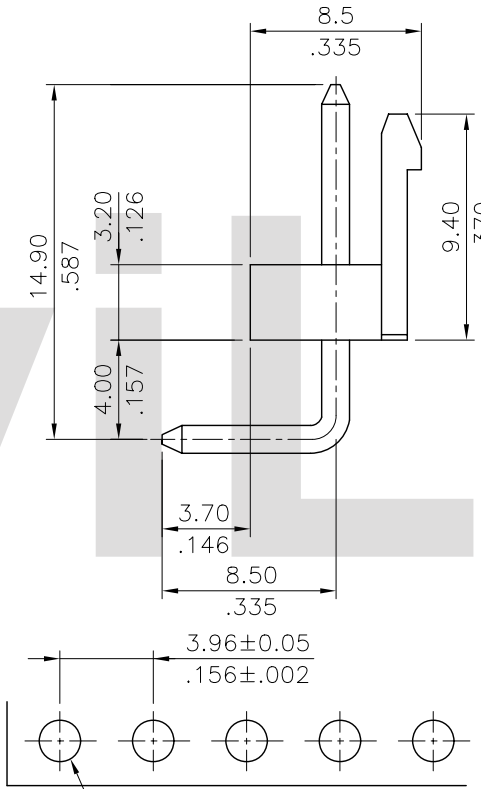
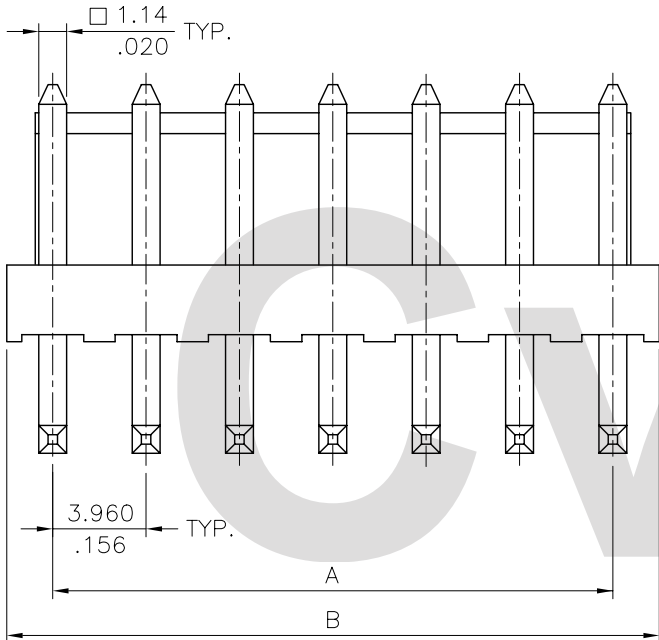
* Insulation: Nylon 66 UL 94V-2
Color Nature

* Contact: Brass

Ordering Code:

CI52 ** P 1 H 0M
① ② ③ ④ ⑤ ⑥

- ① Series No.
- ② No. of Circuits:
- ③ P= Pin header
- ④ Plating: 1= 3.05 μ m(120 μ "") Min. Tin over
0.76 μ m(30 μ "") Nickel
- ⑤ Type: H= Right angle
- ⑥ Other option: 0M= Standard
(Glow wire available)



Circuits	Dimension	
	A	B
2	3.96(.156)	7.8(.307)
3	7.92(.312)	11.8(.465)
4	11.88(.468)	15.8(.622)
5	15.84(.624)	19.7(.776)
6	19.80(.780)	23.7(.933)
7	23.76(.936)	27.6(1.087)
8	27.72(1.091)	31.6(1.244)
9	31.68(1.247)	35.5(1.398)
10	35.64(1.403)	39.5(1.555)
11	39.60(1.559)	43.5(1.713)
12	43.56(1.715)	47.4(1.866)

Recommended P.C. Board Layout

RoHS Compliant

④						DATE	UNIT: mm / inch	TITLE: 3.96MM(.156") RIGHT ANGLE HEADERS	 瀚荃股份有限公司 CviLux Corporation	
③					DRAWN BY: Sandy	7/10-07'	TOLERANCE UNLESS OTHERWISE SPECIFIED			
②					ENGINEER: Eisley	7/13-07'	.X ± 0.38/.015 X: ± 1"	MATERIAL:		
①					CHECKED BY: David	7/13-07'	.XX ± 0.25/.010 .X: ±	FINISH:		
SYM	NAME	DATE	REVISIONS	APPROVED BY: Alex	7/13-07'	.XXX ± 0.10/.004 .XX: ±			DRAWING NO. CI5268SA	PART NO. CI52**P1H0M
									SCALE 3 / 1	SHEET 1 OF 1