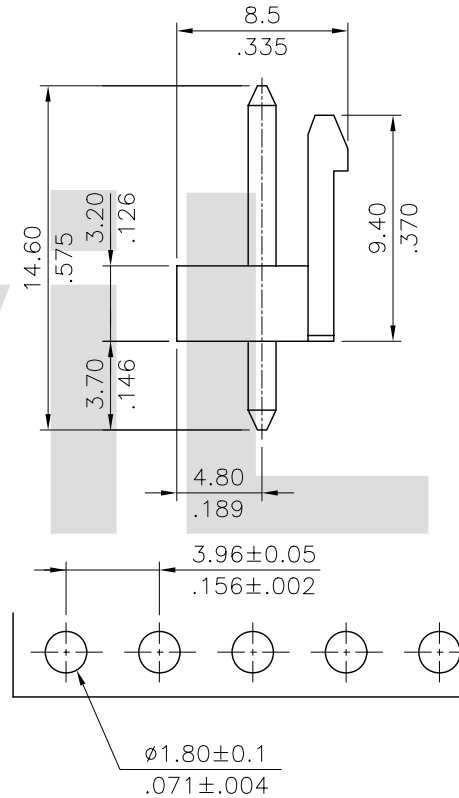
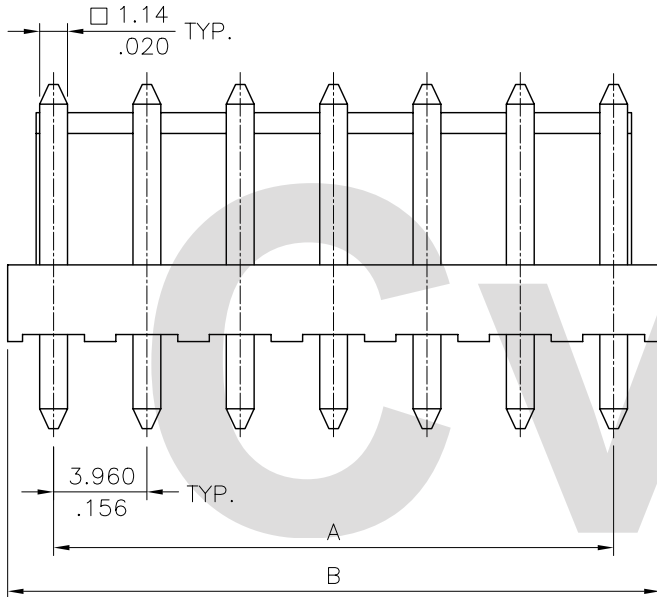


Material:
 * Insulation: Nylon 66 UL 94V-2
 Color Nature
 * Contact: Brass

Ordering Code:

C152 ** P 1 V OM
 ① ② ③ ④ ⑤ ⑥

- ① Series No.
- ② No. of Circuits:
- ③ P= Pin header
- ④ Plating: 1= 3.05μm(120μ") Min. Tin over 0.76μm(30μ") Nickel
 2= Gold flash plated over 1.27μm(50μ") Nickel
 3= 0.38μm(15μ") Gold plated over 1.27μm(50μ") Nickel
 4= 0.76μm(30μ") Gold plated over 1.27μm(50μ") Nickel
- ⑤ Type: V= Straight
- ⑥ Other option: OM= Standard (Glow wire available)



Recommended P.C. Board Layout

Circuits	Dimension	
	A	B
2	3.96(.156)	7.8(.307)
3	7.92(.312)	11.8(.465)
4	11.88(.468)	15.8(.622)
5	15.84(.624)	19.7(.776)
6	19.80(.780)	23.7(.933)
7	23.76(.936)	27.6(1.087)
8	27.72(1.091)	31.6(1.244)
9	31.68(1.247)	35.5(1.398)
10	35.64(1.403)	39.5(1.555)
11	39.60(1.559)	43.5(1.713)
12	43.56(1.715)	47.4(1.866)

RoHS Compliant

4																			
3																			
2																			
1																			
SYM	NAME	DATE	REVISIONS	APPROVED BY:	Alex	7/13-07'													
				CIVILUX CORP.															
				2007.07.18															
				ISSUED															
				DRAWN BY:	Sandy	7/10-07'													
				ENGINEER:	Eisley	7/13-07'													
				CHECKED BY:	David	7/13-07'													
				UNIT:	mm / inch														
				TITLE:	3.96MM(.156")														
				TOLERANCE UNLESS OTHERWISE SPECIFIED															
				.X ± 0.38/.015	X' ± 1"														
				.XX ± 0.25/.010	.X' ±														
				.XXX ± 0.10/.004	.XX' ±														
				MATERIAL:															
				FINISH:															
				DRAWING NO.	C15267SA														
				PART NO.	C152**P*VOM														
				SCALE	3 / 1														
				SHEET	1 OF 1														

